



Yeelight Automatic Curtain Opener

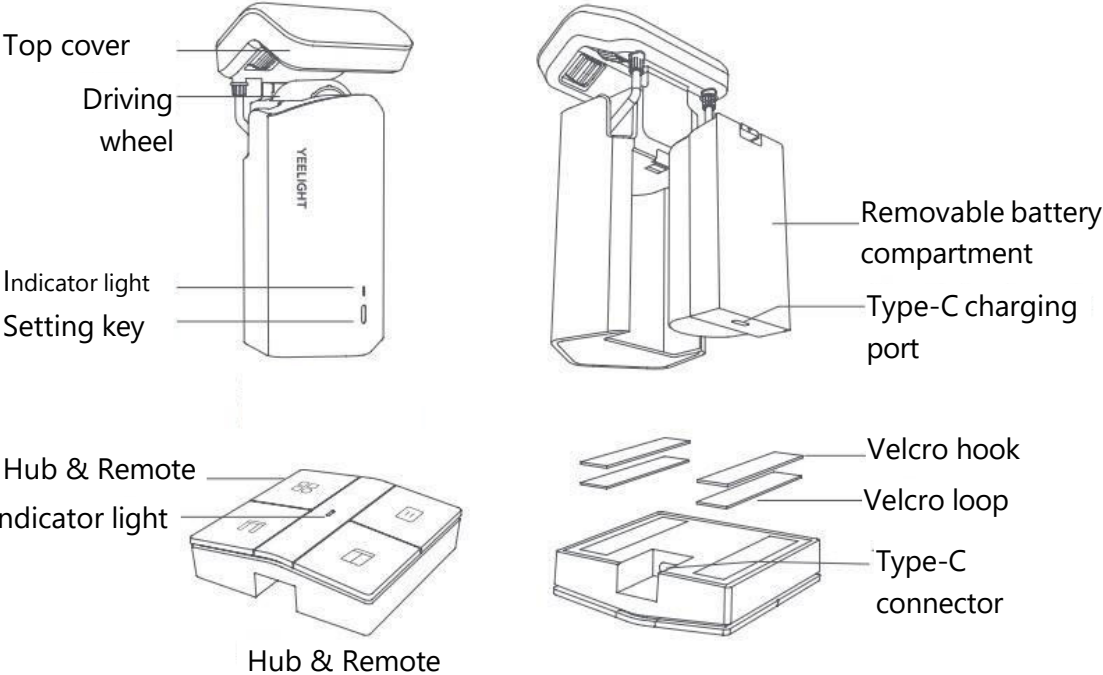
**User Manual • Užívateľský manuál •
Užívateľský manuál • Használati utasítás •
Benutzerhandbuch**

Warning

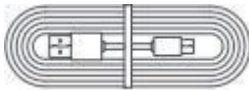
1. Important safety instructions. It is important for safety of persons to follow these instructions. Save these instructions.
2. Children should be supervised to ensure that they do not play with the appliance.
3. Do not allow children to play with fixed controls. Keep remote controls away from children.
4. Frequently examine the installation for imbalance and signs of wear or damage to cables springs and fixings. Do not use if repair or adjustment is necessary.
5. Warning: The drive shall be disconnected from its power source during cleaning, maintenance and when replacing parts.
6. Warning: Important safety instructions. Follow all instructions, since incorrect installation can lead to severe injury.
7. Before installing the drive, remove any unnecessary cords and disable any equipment not needed for powered operation.
8. Install the actuating member of a manual release at a height less than 1.8 m.
9. That the characteristics of the driven part must be compatible with the rated torque and rated operating time.
10. Fixed controls must be clearly visible after installation.
11. This appliance is not intended for use by persons (including children with reduced physical, sensory or mental capabilities, or lack of experience and knowledge, unless they have been given supervision or instruction concerning use of the appliance by a person responsible for their safety. (For non-EU & UKCA market).
12. This appliance can be used by children aged from 8 years and above and person with reduced physical, sensory or mental capabilities or lack of experience and knowledge if they have been given supervision or instruction concerning use of the appliance in a safe way and understand the hazards involved. (For EU & UKCA market)
13. Cleaning and user maintenance shall not be made by children without supervision.
14. The product contains rechargeable lithium battery, which is harmful to the environment when it is discarded. Please take the battery out of the battery pack before discarding. Pry along the dividing line of the battery pack and remove the battery. Removed batteries should be disposed of by a professional recycling organization.
15. Under normal use of condition, this equipment should be kept a separation distance of at least 20cm between the antenna and the body of the user.
16. The mass and the dimension of the driven part shall be compatible with the rated torque and rated operating time.

Introduction

Yeelight Automatic Curtain Opener is a smart curtain controller. The product is small in size and easy to install. It can realize the smart control of traditional curtains without replacing the original curtain track. The product has a built-in lithium battery and comes with a Hub & Remote, which can quickly access the voice platform to realize functions, such as App remote control, voice-control to open and close curtains, and interact with other smart devices connected to the smart platform. In addition, users can also quickly operate the four buttons on the Hub & Remote (full on, full off, pause and custom: one-button start and move to a designated position).



Accessories List



USB to Type-C power cable
x 1



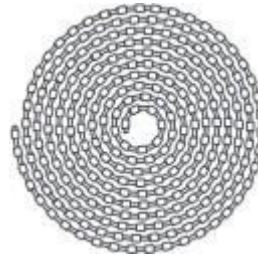
Velcro hook x 2
Velcro loop x 2



Anti-fall bracket
Single panel: 2
Double panel: 4



Bead clip
Single panel: 8
Double panel: 16



Beads
Single panel: 2m
Double panel: 4m

Tip: Due to the update and upgrade of the product, the actual product may be slightly different from the schematic diagram, please refer to the actual product.

Instructions

Instructional video

Please scan the QR code to view the instructional video or follow the steps to install and use it.

Tip: In order to ensure the installation effect of the product, please wipe the surface of the curtain track to remove the dust on the surface before installation.



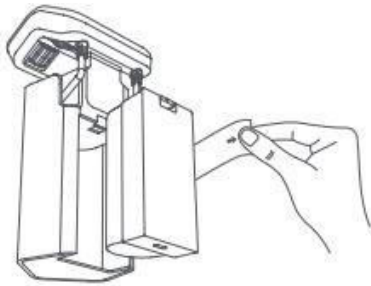
Scan to code to view the instructional video.

Guide for first time use

1. Support smartphones and tablets with Android 4.4 & iOS 10.0 and above.
2. Scan the below QR code or search in APP store or Google to download "Mi Home" App.
3. Open Mi Home APP and register a "Mi Home" account or log in directly if you have an account.
4. Connect your phone to the internet. Please ensure that the Wi-Fi network is available and can access the internet normally (the product does not support 5G network)
5. Take out the Hub & Remote and connect the power cable and adapter (the adapter needs to be configured by yourself, DC5V 1A with USB port).
6. Remove the battery compartment of Yeelight Automatic Curtain Opener, remove the battery separator, install the battery compartment again, and charge the Yeelight

Automatic Curtain Opener for the first time for more than 3 hours, until the white indicator stops flashing (it takes about 6 hours to fully charge)

7. Open the "Mi Home" APP, click "+" in the upper right corner of the home page, and add devices according to the APP prompts; Note: Please set the route after installing the product on the track accurately, see the next page for the installation instruction. Tip: Due to the upgrade and update of the "Mi Home" APP, the actual operation may be slightly different from the above description, please operate according to the current "Mi Home" APP.
8. You can link multiple third-party services to your Mi Home account.



Alexa, close the curtain

OK Google, close my bedroom curtain

Installation

Yeelight Automatic Curtain Opener (O-shaped track) only support O-shaped curtain track. The cross-section of the curtain track and the matching size are shown in the figure below.

Notice:

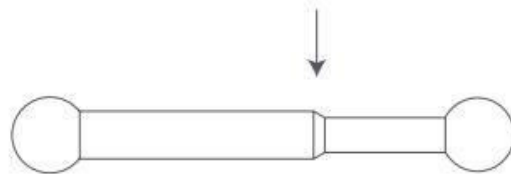
- If you need to install it on I-shaped and C-shaped tracks, please purchase the corresponding version of Yeelight Automatic Curtain Opener and are reference only. Due to the update and upgrade of the product, the actual product may be slightly different from the schematic diagram, please refer to the actual product.

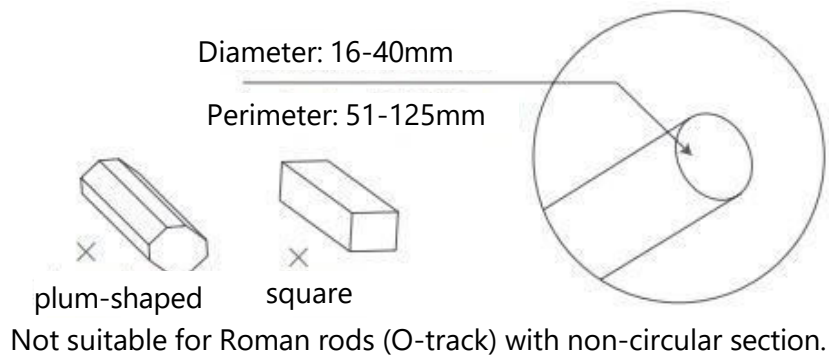
The diameter of the rod should be between 16-40mm, or the perimeter should be between 51-125mm, whichever meets one of the two.

There needs to be tight-fitting trim seals on both sides of the rod

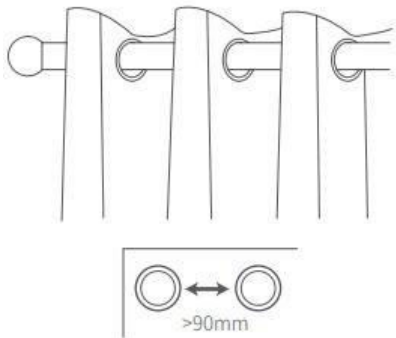


Suitable for telescopic Roman rod (O-track)

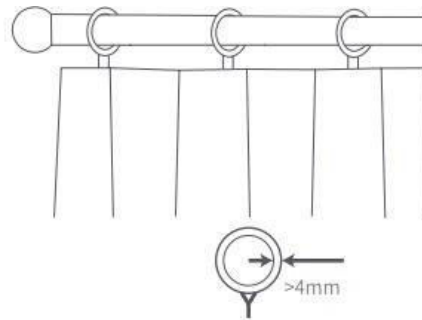




Suitable for grommet curtains. When it is used for grommet curtains, please make sure the shortest distance between the adjacent grommets is more than 90mm.



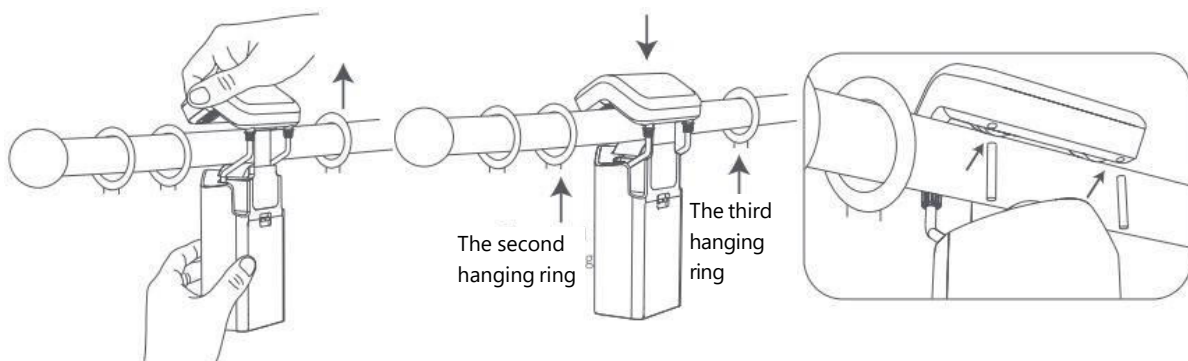
Suitable for ring top curtains. When it is used for ring top curtains, please make sure that the thickness of the hanging ring is more than 4mm.



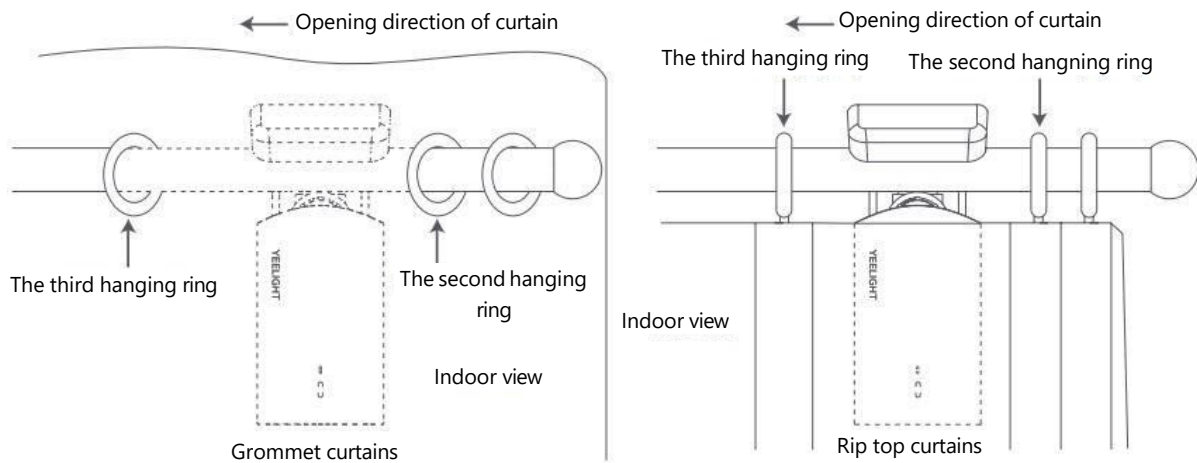
Install the automatic curtain opener on the track

Pull the top cover of the curtain motor upward to the maximum position, install the curtain motor to the opening direction of the Roman rod (O-track) curtain, and in the middle of the second and third grommet, let the top cover of the curtain motor and the driving wheel be clamped on the track.

In order to prevent the curtain motor from falling during abnormal movement due to the pattern or deformation of the curtain track, it is recommended to install an anti-fall bracket.



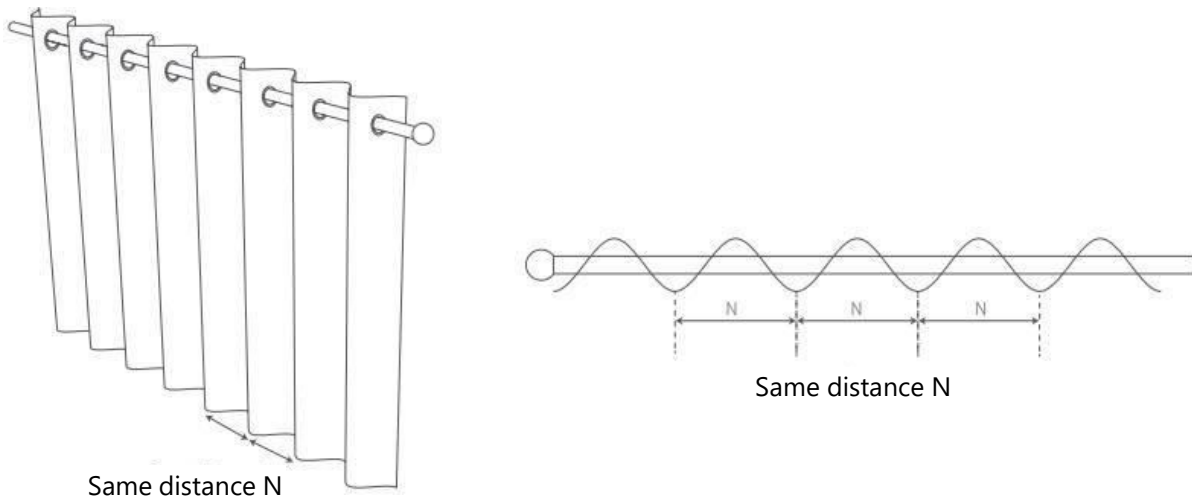
Reset it and the installation is complete.



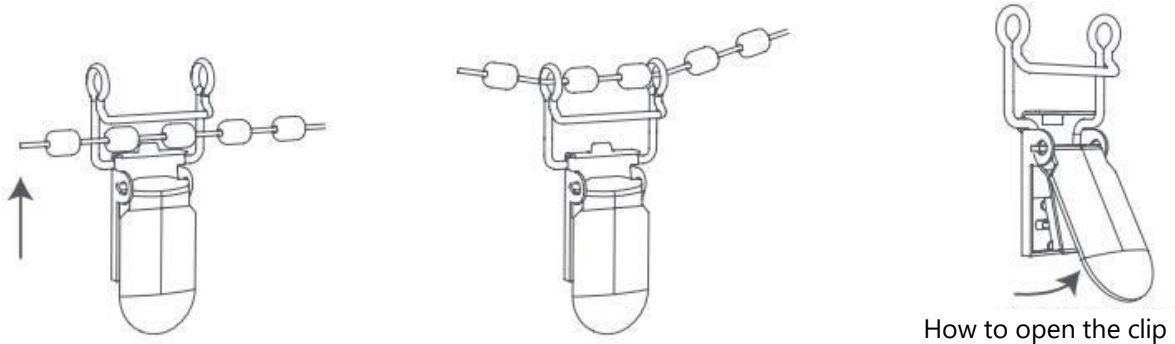
Accessories for grommet curtains (not required for ring top curtains)

Because the inner diameter of the Roma ring of grommet curtain is similar to the outer diameter of the Roman rod (O-shaped track), and it is difficult to pull (completely open the curtain at one time) due to its structure, it is necessary to add the accessories to make the curtain evenly distributed, which can reduce the pulling force and maintain the beauty of the curtain.

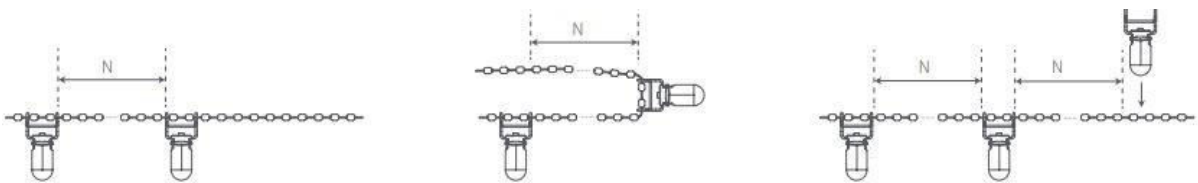
1. Please close the curtain completely and make sure the distances between each fold life are about the same.



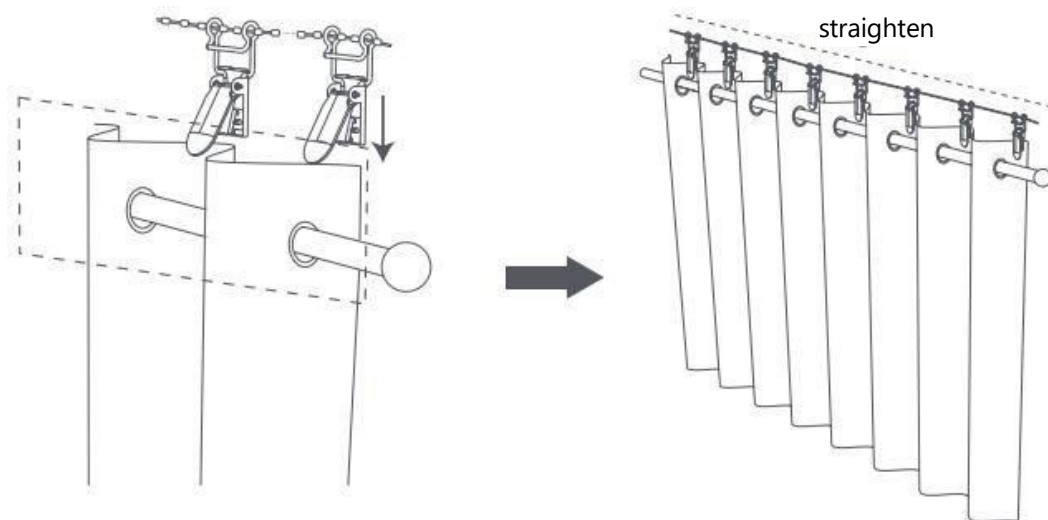
- Take out the accessories, install the beads onto the bead clip as shown in the figure below (make sure that there are two beads in the end of the clip)



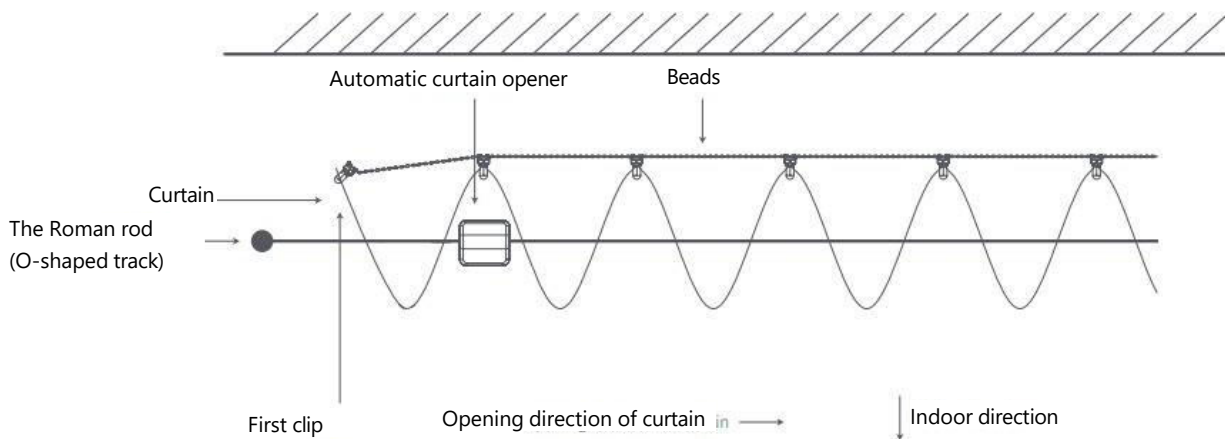
- Measure the distance N between two adjacent fold lines.
- Straighten the beads, install the beads onto the second bead clip according to the measured distance, and ensure that the distance between the first clip and the second clip is N . Based on the distance between the first and second clips, find the positions for the other bead clips, ensuring that the distance between each clip are the same and are N .



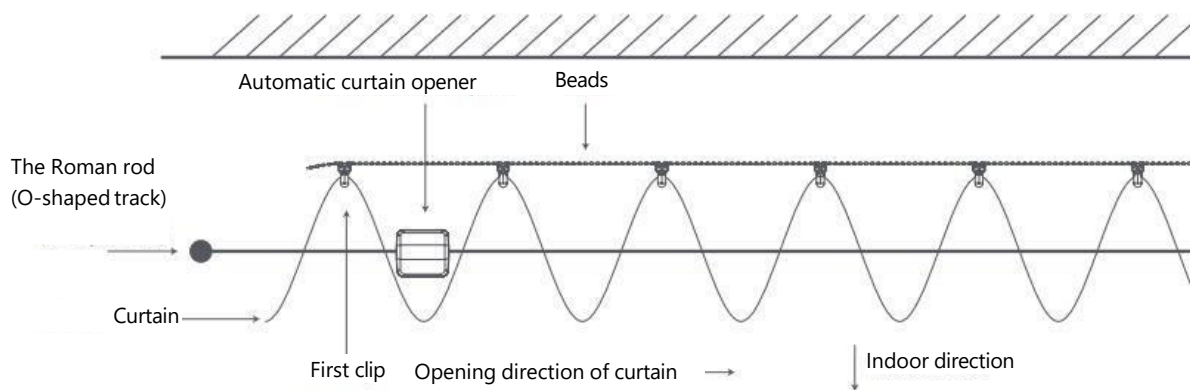
- Attach the clips to the outward facing curtain fold line. During installation, the clip needs to be placed at the top area of the curtain, and only needs to be clamped at the first few curtain protrusions from the fully closed direction to the fully open direction.
- When installing all the clips onto the curtain, please try to open and close it and make sure the beads strip is straightened when closed. You can cut the rest strip off or hide it behind the curtain.



Case 1: The first opening in the opening direction of the curtain faces the outside.



Case 2: The first opening in the opening direction of the curtain faces the indoors.



Hub & Remote Instructions

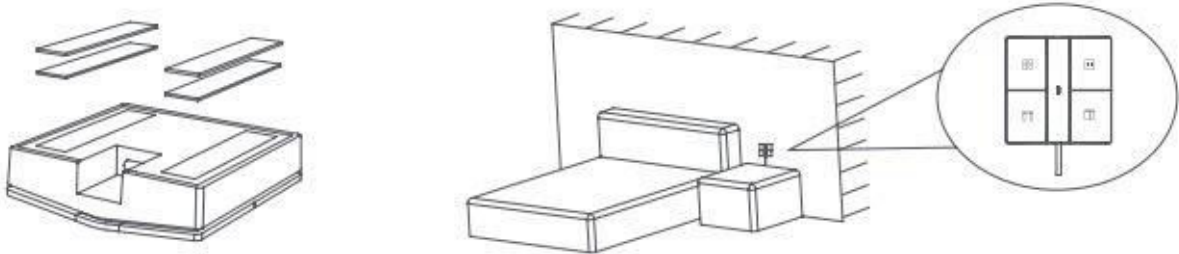
In order to ensure that the curtain motor can be used normally and can be connected to the third-party platform, the hub remote control needs to be connected to the adapter (prepared by yourself) before using the curtain motor, and it should be always powered on and can be connected to Wi-Fi normally.

You can stick the Hub & Remote on a clean, flat, and stable surface such as the bedside table or the wall.

1. Take out the Velcro loop from the accessories package and remove the isolation paper on the back.
2. Paste the Velcro loop into the groove on the back of the Hub & Remote and press it for 1 minute to ensure that the self-adhesive is cured.
3. Confirm where you want to paste and wipe the surface with a clean cloth.
4. Paste the Velcro hook to the loop, then remove the isolation paper behind the Velcro hook, paste the entire Hub & Remote to the selected location, and press it for 1 minute to ensure that the self-adhesive is cured.

Notice:

- Do not press the button of the Hub & Remote during the whole process.
- The hub only supports Yeelight automatic curtain opener.



Instructions to the Hub Remote Control Buttons

- ☐ Custom button: Move the curtain to the set position, which can be set in the App.
- ☐ Pause button: Curtain stops moving.
- ☐ Fully open button: Fully open the curtains.
- ☐ Fully closed button: Fully close the curtains.

Note: The remote control will take effect only after the Yeelight Automatic Curtain Opener completes the calibration settings. For the calibration process, please refer to the installation guide in the App.

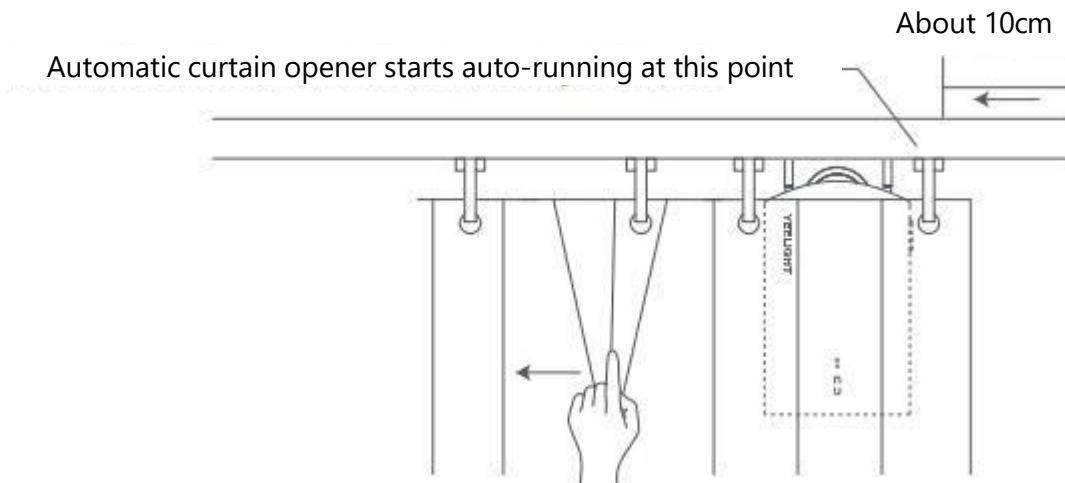
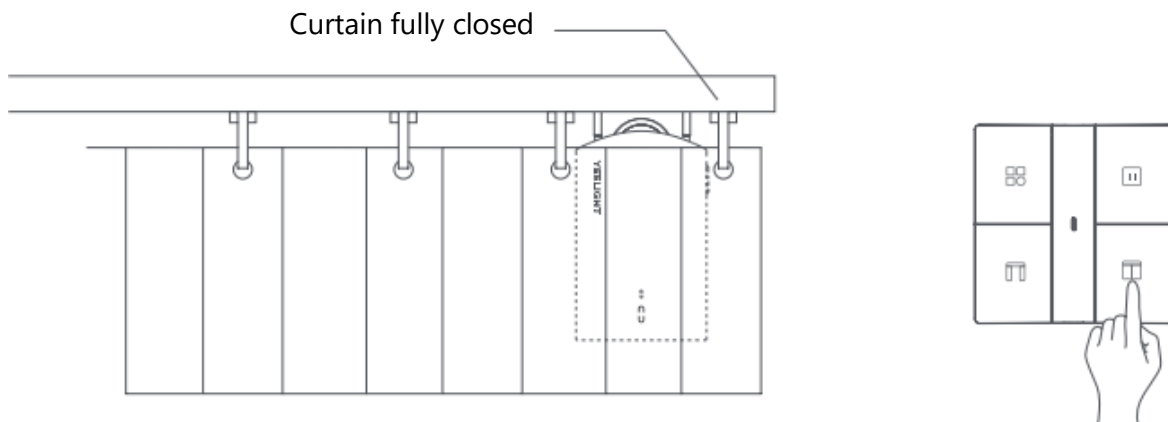


Auto Calibration Settings

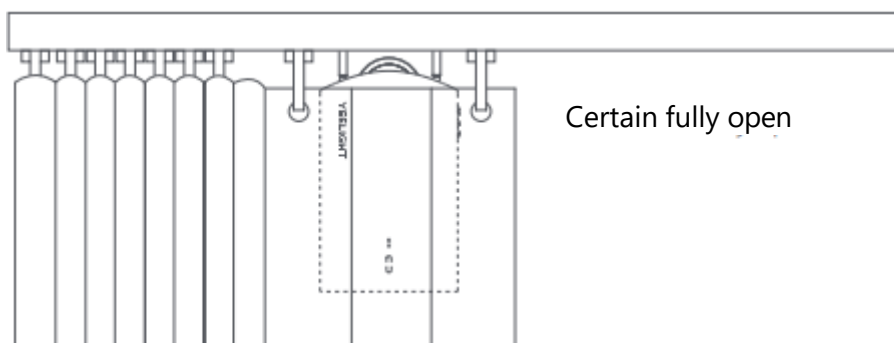
Single panel curtain auto calibration

1. Place the automatic curtain opener to the position where the curtain is fully closed.
2. Quickly click the fully closed button on the Hub & Remote for 5 times. At this time, the indicator lights of the Hub & Remote and the automatic curtain opener start to flash blue slowly, indicating that both the automatic curtain opener and the Hub & Remote are in the auto calibration mode.

- Gently pull the curtain about 10cm in the fully open direction, and the automatic curtain opener will automatically move in the fully open direction. After the curtain stops moving or moves to the designated position, click the fully closed button again.



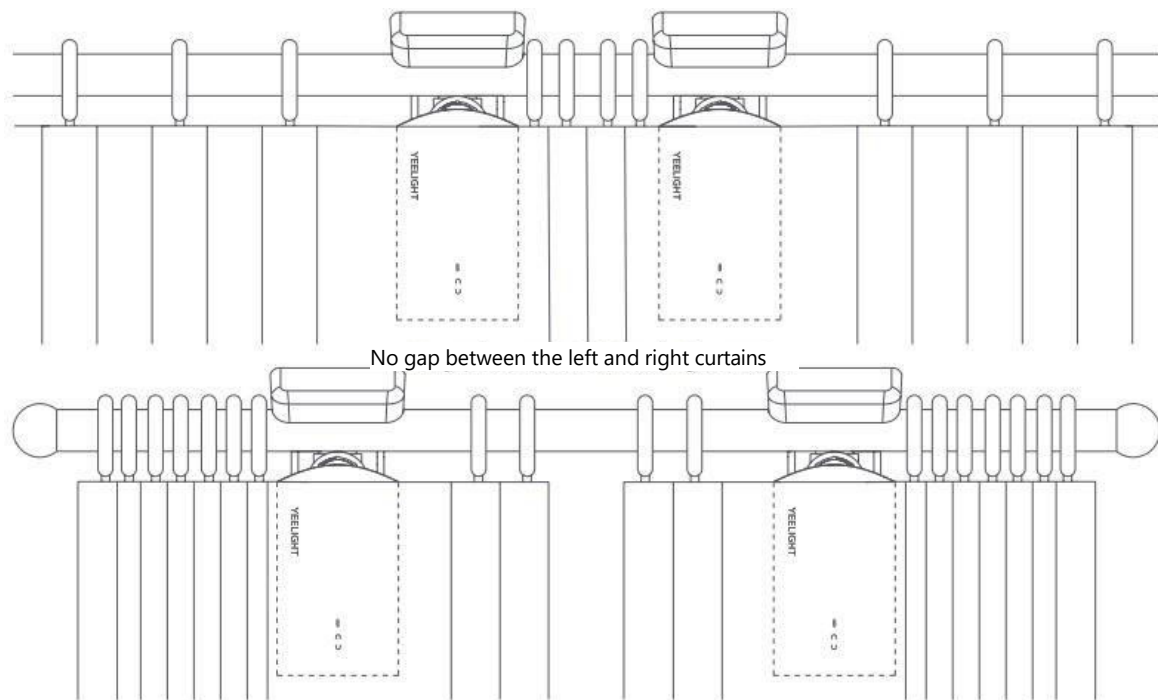
- The blue indicators of the automatic curtain opener and Hub & Remote stops flashing.
- Complete the auto calibration.



Auto-calibration of double panel curtains:

Refer to the route setting method of single panel curtain and set the routes of the left and right Yeelight Automatic Curtain Opener respectively.

Note: When pulling the curtains by hand, please pull the left and right curtains about 10cm to the full open direction in turn, after the curtain motors on the left and right sides reach both ends of the curtain track or move to the designated position, click the full closed button on the remote control again.



Warning:

1. The product is not a toy, please keep children away from it.
2. Only for indoor use, please do not use it outdoors.
3. The product is not moisture-proof, please do not spill water or other liquids product.
4. Please keep the product away from heat.
5. If the product fails during use, please hand it over to authorized professionals for repair, and do not attempt to repair it by yourself.

Group the Yeelight Automatic Curtain Opener and Hub & Remote

(Please do it when the blue indicator on the motor flashes)

1. Press and hold the button of the automatic curtain opener that needs to be grouped for 5s, until the blue indicator starts to flash.
2. Press and hold the fully open button and pause button of the Hub & Remote for 10s, until the blue indicator on the Hub & Remote starts to flash.
3. After the automatic curtain opener and the gateway remote control are grouped together, the automatic curtain opener will drive the curtain to move the left and right for a short distance, and at the same time the blue indicators of the automatic curtain opener stop flashing.
4. If the blue indicator of the Hub & Remote stops flashing, but the blue indicator on the automatic curtain opener is still flashing, please repeat the above steps until both the blue indicators of the automatic curtain opener and Hub & Remote stop flashing which means the grouping is successful.

Button Instructions

	Buttons operation	Instruction
Automatic curtain opener	Press and hold the button for 5s	Enter the automatic curtain opener and Hub & Remote group mode
	Click or press and hold the button for less than 5s	Automatic curtain opener stops moving

	Buttons operation	Instruction
Hub & Remote	Custom button	Move the curtain to the set position, you can set any position in the APP
	Fully open button	Fully open the curtains
	Fully closed button	Fully close the curtains
	Pause button	Automatic curtain opener stops moving
	Press and hold the pause + full open button at the same time for 10s	Enter the automatic curtain opener and Hub & Remote group mode
	Press and hold the custom + fully closed button at the same time for 3s	The Hub & Remote enters the distribution network to add to the account mode
	Quickly click the fully closed button 5 times in succession	Automatic curtain opener and Hub & Remote enter auto-calibration mode

Indicator Instructions

	Buttons operation	Instruction
Automatic curtain opener	White indicator keeps on for 1s	Power on the automatic curtain opener
	White indicator flashes once	Click the button
	Blue indicator flashes quickly	Group mode with Hub & Remote
	Blue indicator flashes slowly	Automatic curtain opener enters auto-calibration mode

	Buttons operation	Instruction
Hub & Remote	White indicator keeps on for 1s	Power on the Hub & Remote
	White indicator flashes slowly	Detect network
	White indicator flashes quickly	The Hub & Remote enters the networking and add to the account mode
	Blue indicator flashes quickly	Group mode with automatic curtain opener
	Blue indicator flashes slowly	Hub & Remote enters auto-calibration mode
	The blue indicator flashes once	The automatic curtain opener hasn't set the route

Charging Instructions

Insert the Type-C plug of the USP charging cable into the charging port on the Yeelight Automatic Curtain Opener or remove the battery pack behind the Yeelight Automatic Curtain Opener separately, and insert the other end into the adapter to charge.

	Buttons operation	Instruction
Automatic curtain opener	White indicator flashes	Charging
	White indicator keeps on	Charging is complete and the adapter is not removed

Reset to factory settings

Press and hold the custom and fully closed buttons on the Hub & Remote at the same time for 3 seconds until the white indicator of the Hub & Remote starts to flash, which means that the Hub & Remote has been reset to the factory settings.

Warning:

After resetting to factory settings, you may lose all settings and you will need to re-add the device to the account and re-calibrate the route.

Specifications

Automatic curtain opener

Model	YLCDJ-0009
Dimension	79 x 166 x 72mm
Rated torque	0.2N m
Working time	S2 4min
Rated voltage	5V ---
Rated power	6W
Movement speed	7cm/s

Test conditions: Performance mode, 2m curtain track, 12kg curtain, 25°C (The test results are from the control experiment of Yeelight laboratory, the battery life may vary due to different conditions).

Hub & Remote

Model	YLCDJ-0011
Dimension	65 x 65 x 18mm
Rated voltage	5V ---
Rated current	1A

Notes:

1. For indoor use only.
2. It is recommended to be used at an altitude of less than 2000meters for safety.
3. " --- " The symbol indicates direct current (DC).

Compatible with: Android id 4.4 or iOS 10.0 and above.

Wireless Connectivity: Wi-Fi IEEE 802.11b/g/n 2.4GHz. Bluetooth 4.2BLE, Zigbee

Operating Frequency: 2412-2472MHz (Wi-Fi), 2402-2480MHz (BT), 2405-2480MHz (Zigbee)

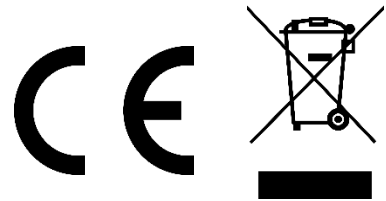
Maximum Output Power: 16.24 dBm (Wi-Fi), 2dBm (BT), 6.06dBm (Zigbee).

EU Declaration of Conformity

Quingdao Yeelink Information Technology Co., hereby declares that type Y00409 devices are in conformity with EU Directives. The full text of the EU Declaration of Conformity is available at the following web address: <https://edshop.edsystem.cz/prohlaseni-o-shode/article-28393>

WEEE

This product must not be disposed of as normal household waste in accordance with the EU Directive on Waste Electrical and Electronic Equipment (WEEE - 2012/19 / EU). Instead, it shall be returned to the place of purchase or handed over to a public collection point for the recyclable waste. By ensuring this product is disposed of correctly, you will help prevent potential negative consequences for the environment and human health, which could otherwise be caused by inappropriate waste handling of this product. Contact your local authority or the nearest collection point for further details. Improper disposal of this type of waste may result in fines in accordance with national regulations.

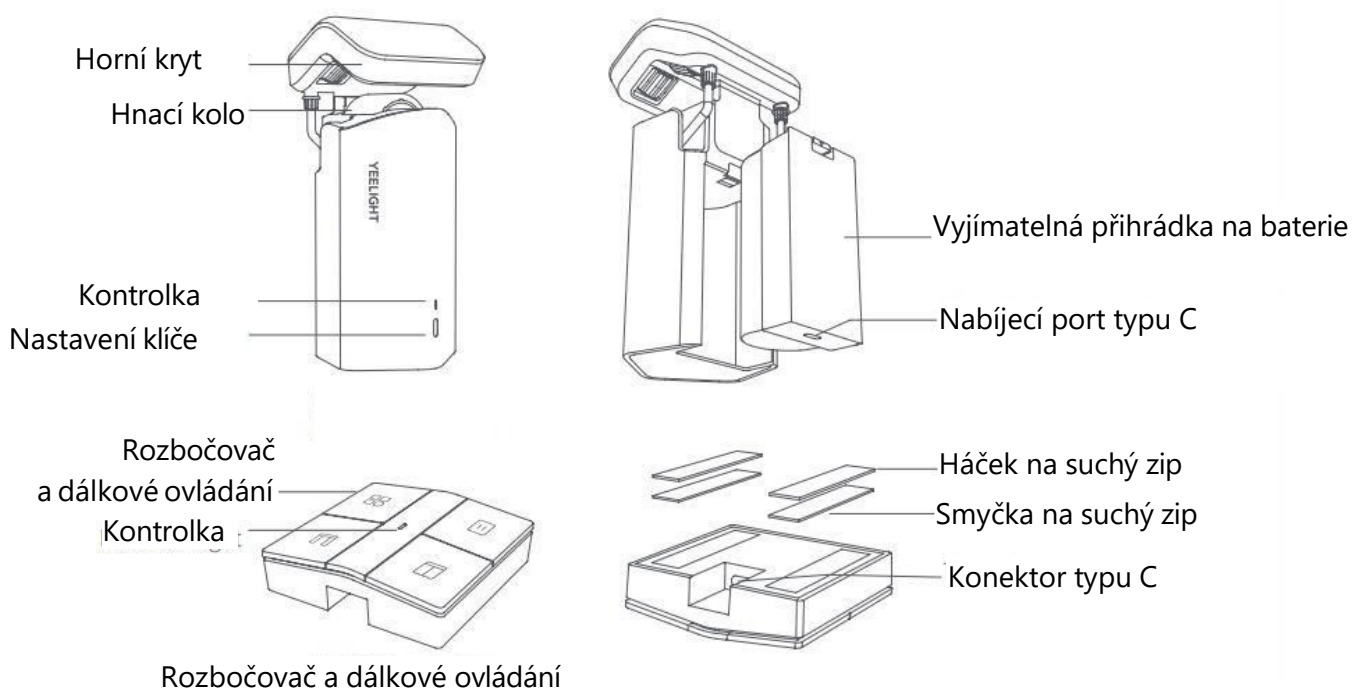


Varování

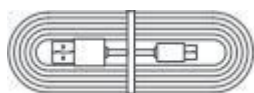
1. Důležité bezpečnostní pokyny. Pro bezpečnost osob je důležité dodržovat tyto pokyny. Tyto pokyny si uložte.
2. Děti by měly být pod dohledem, aby si se spotřebičem nehrály.
3. Nedovolte dětem, aby si hrály s pevnými ovládacími prvky. Dálkové ovladače uchovávejte mimo dosah dětí.
4. Často kontrolujte instalaci, zda není nevyvážená a zda nejeví známky opotřebení nebo poškození pružin kabelů a upevňovacích prvků. Pokud je nutná oprava nebo seřízení, nepoužívejte je.
5. Varování: Při čištění, údržbě a výměně dílů musí být pohon odpojen od zdroje napájení.
6. Varování: Důležité bezpečnostní pokyny. Dodržujte všechny pokyny, protože nesprávná instalace může vést k vážnému zranění.
7. Před instalací jednotky odstraňte všechny nepotřebné kabely a vypněte všechna zařízení, která nejsou potřebná pro napájený provoz.
8. Ovládací prvek ručního uvolňovače instalujte ve výšce menší než 1,8 m.
9. Vlastnosti poháněné části musí odpovídat jmenovitému krouticímu momentu a jmenovité době provozu.
10. Pevné ovládací prvky musí být po instalaci jasně viditelné.
11. Tento spotřebič není určen k používání osobami (včetně dětí se sníženými fyzickými, smyslovými nebo duševními schopnostmi nebo s nedostatkem zkušeností a znalostí, pokud jim osoba odpovědná za jejich bezpečnost neposkytla dohled nebo je nepoučila o používání spotřebiče. (Pro trh mimo EU a UKCA).
12. Tento spotřebič mohou používat děti od 8 let a starší a osoby se sníženými fyzickými, smyslovými nebo duševními schopnostmi nebo s nedostatkem zkušeností a znalostí, pokud jsou pod dohledem nebo byly poučeny o bezpečném používání spotřebiče a rozumí souvisejícím nebezpečím. (Pro trh EU a UKCA)
13. Čištění a uživatelskou údržbu nesmí provádět děti bez dozoru.
14. Výrobek obsahuje dobíjecí lithiovou baterii, která je při likvidaci škodlivá pro životní prostředí. Před vyhozením vyjměte baterii z akumulátoru. Vypačte podél dělicí čáry bateriového bloku a baterii vyjměte. Vyjmuté baterie by měly být zlikvidovány odbornou recyklační organizací.
15. Při běžném používání tohoto zařízení by měla být vzdálenost mezi anténou a tělem uživatele nejméně 20 cm.
16. Hmotnost a rozměry poháněné části musí odpovídat jmenovitému točivému momentu a jmenovité době provozu.

Úvod

Yeelight Automatic Curtain Opener je chytrý ovladač záclon. Výrobek má malé rozměry a snadno se instaluje. Dokáže realizovat inteligentní ovládání tradičních záclon bez nutnosti výměny původní záclonové dráhy. Výrobek má vestavěnou lithiovou baterii a je dodáván s rozbočovačem a dálkovým ovladačem, který umožňuje rychlý přístup k hlasové platformě pro realizaci funkcí, jako je dálkové ovládání aplikace, hlasové ovládání pro otevírání a zavírání záclon a interakce s dalšími chytrými zařízeními připojenými k chytré platformě. Kromě toho mohou uživatelé také rychle ovládat čtyři tlačítka na dálkovém ovladači Hub & Remote (úplné zapnutí, úplné vypnutí, pozastavení a vlastní: spuštění jedním tlačítkem a přesun do určené polohy).



Seznam příslušenství



Napájecí kabel z USB na
Typ-C x 1



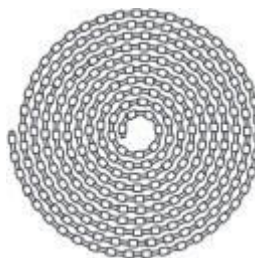
Háček na suchý zip x 2
Smyčka na suchý zip x 2



Držák proti pádu
Jednoduchý panel: 2
Dvojitý panel: 4



Korálový klip
Jednoduchý panel: 8
Dvojitý panel: 16



Korálky
Jednoduchý panel: 2 m
Dvojitý panel: 4 m

Tip: V důsledku aktualizace a upgradu výrobku se může skutečný výrobek mírně lišit od schématu, viz skutečný výrobek.

Pokyny

Instruktažní video

Naskenováním QR kódu zobrazíte instruktažní video nebo postupujte podle pokynů k instalaci a používání.

Tip: Aby byl zajištěn účinek instalace výrobku, otřete před instalací povrch záclonové dráhy, abyste odstranili prach na povrchu.

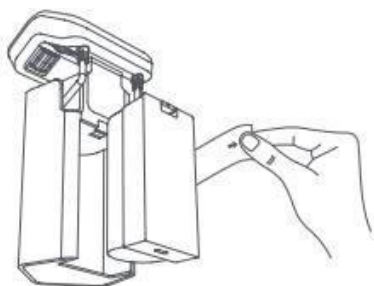


Naskenováním kódu zobrazíte instruktažní video.

Příručka pro první použití

1. Podpora chytrých telefonů a tabletů se systémem Android 4.4 a iOS 10.0 a novějším.
2. Stáhněte si aplikaci "Mi Home" naskenováním níže uvedeného QR kódu nebo vyhledáním v obchodě APP store či Google.
3. Otevřete aplikaci Mi Home APP a zaregistrujte si účet "Mi Home" nebo se přímo přihlaste, pokud účet máte.
4. Připojte telefon k internetu. Ujistěte se, že je k dispozici síť Wi-Fi a že můžete normálně přistupovat k internetu (výrobek nepodporuje síť 5G).
5. Vyjměte rozbočovač a dálkové ovládání a připojte napájecí kabel a adaptér (adaptér je třeba nakonfigurovat samostatně, DC5V 1 A s portem USB).
6. Vyjměte přihrádku na baterie automatického otvírače záclon Yeelight, vyjměte oddělovač baterií, znovu nainstalujte přihrádku na baterie a poprvé nabíjejte automatický otvírač záclon Yeelight déle než 3 hodiny, dokud nepřestane blikat bílý indikátor (úplné nabití trvá přibližně 6 hodin).

7. Otevřete aplikaci "Mi Home", klikněte na tlačítko "+" v pravém horním rohu domovské stránky a přidejte zařízení podle pokynů aplikace;
Poznámka: Po instalaci produktu na trati přesně nastavte trasu, viz další stránka s pokyny k instalaci.
Tip: V případě, že je zařízení v provozu, je nutné jej nainstalovat: Z důvodu aktualizace a upgradu aplikace "Mi Home" APP se může skutečné ovládání mírně lišit od výše uvedeného popisu, ovládejte se prosím podle aktuální aplikace "Mi Home" APP.
8. K účtu Mi Home můžete připojit více služeb třetích stran.



Alexo, zatáhni závěs

OK Google, zatáhni mi závěs v ložnici.

Instalace

Automatický otvírač záclon Yeelight (kolejnice ve tvaru O) podporuje pouze kolejnice ve tvaru O. Průřez záclonové dráhy a odpovídající velikost jsou uvedeny na obrázku níže.

Upozornění:

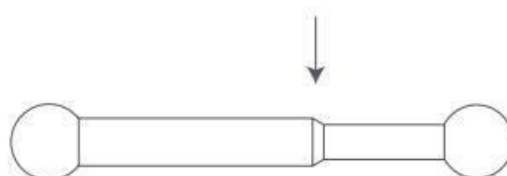
- Pokud jej potřebujete nainstalovat na kolejnice ve tvaru I a C, zakupte si odpovídající verzi automatického otvírače záclon Yeelight. Z důvodu aktualizace a upgradu výrobku se může skutečný výrobek mírně lišit od schématu, podívejte se prosím na skutečný výrobek.

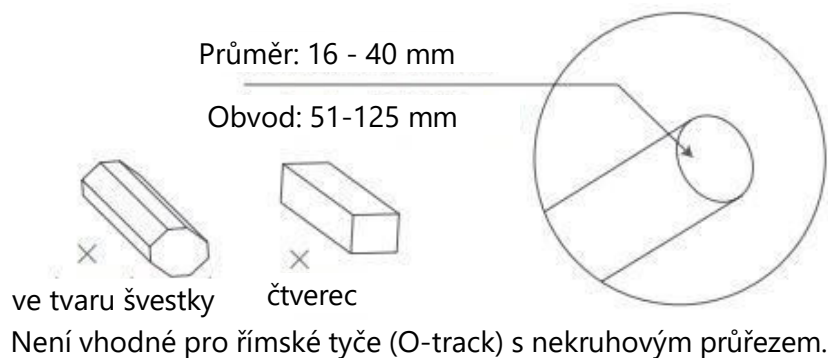
Průměr tyče by se měl pohybovat v rozmezí 16-40 mm nebo obvod by měl být v rozmezí 51-125 mm, podle toho, co splňuje jednu z těchto dvou podmínek.

Na obou stranách tyče musí být těsně přiléhající těsnění.

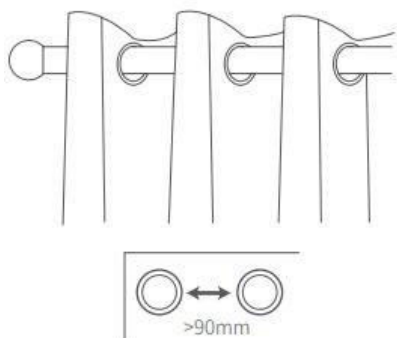


Vhodné pro teleskopickou římskou tyč (O-track)

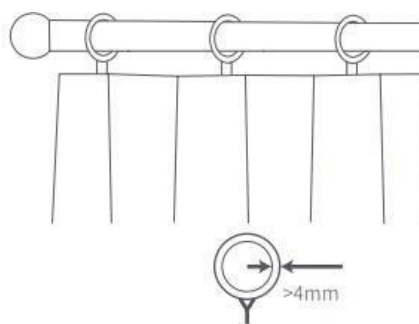




Vhodné pro záclony s průchodkou. Při použití pro průchodkové záclony se ujistěte, že nejkratší vzdálenost mezi sousedními průchodkami je větší než 90 mm.



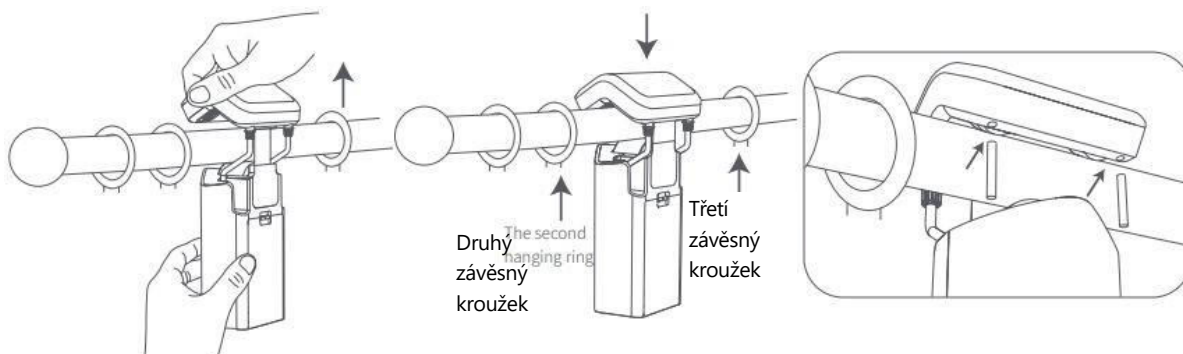
Vhodné pro kruhové závěsy. Při použití pro závěsy s kroužkem se ujistěte, že tloušťka závěsného kroužku je větší než 4 mm.



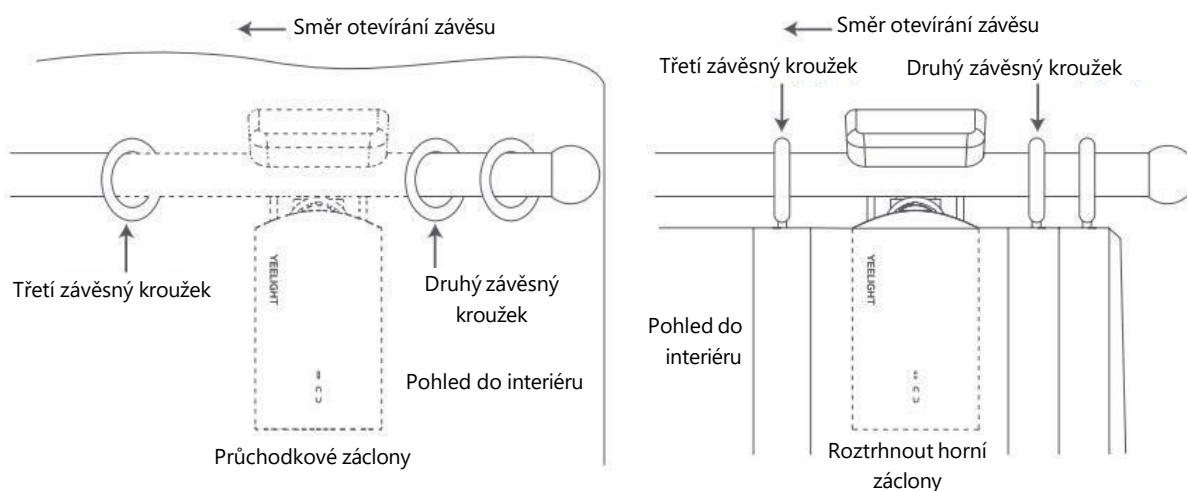
Instalace automatického otvírače záclon na kolejnici

Vytáhněte horní kryt motoru záclony nahoru do maximální polohy, nainstalujte motor záclony do směru otevírání záclony s římskou tyčí (O-track) a uprostřed druhé a třetí průchodky nechte horní kryt motoru záclony a hnací kolo upnout na kolejnici.

Aby se zabránilo pádu motoru záclony při abnormálním pohybu v důsledku vzoru nebo deformace dráhy záclony, doporučuje se nainstalovat držák proti pádu.



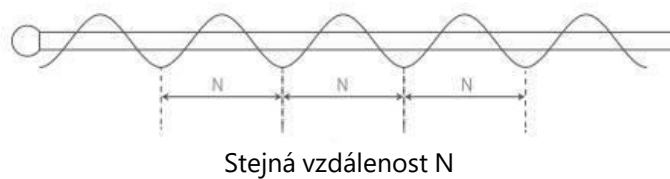
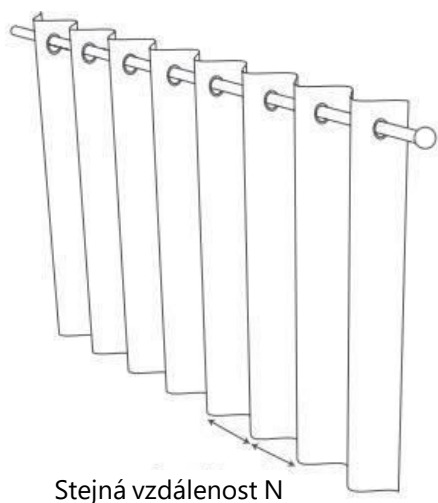
Obnovte jej a instalace je dokončena.



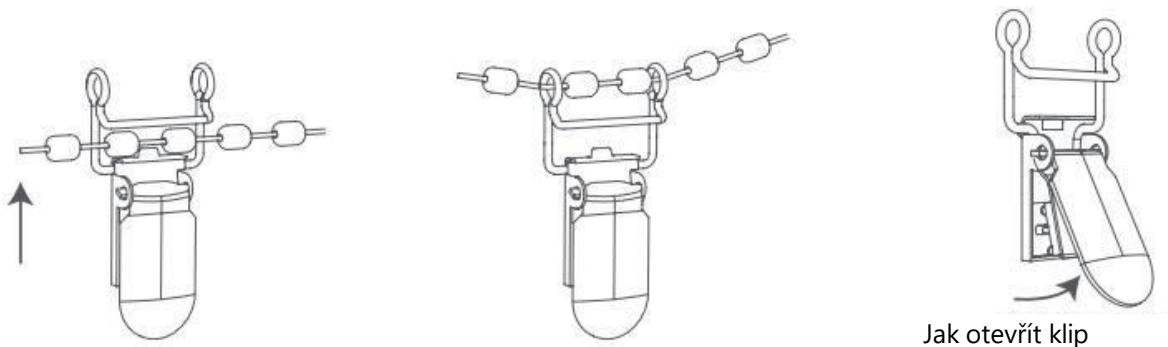
Příslušenství pro záclony s průchodkou (není nutné pro záclony s kroužkem)

Vzhledem k tomu, že vnitřní průměr římského kroužku průchodkové záclony je podobný vnějšímu průměru římské tyče (kolejnice ve tvaru písmene O) a vzhledem k její struktuře je obtížné ji vytáhnout (úplně otevřít záclonu najednou), je nutné přidat příslušenství, aby byla záclona rovnoměrně rozložena, což může snížit tažnou sílu a zachovat krásu záclony.

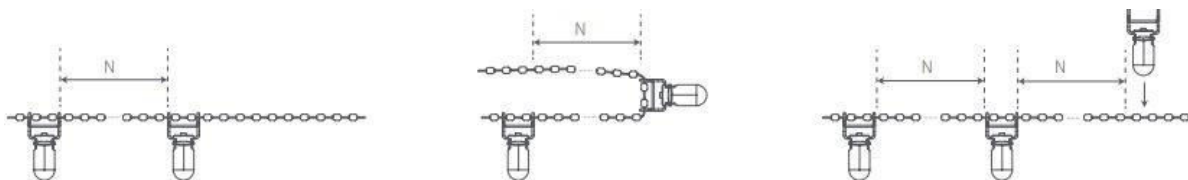
1. Zcela zavřete závěs a ujistěte se, že vzdálenosti mezi jednotlivými kroužky jsou přibližně stejné.



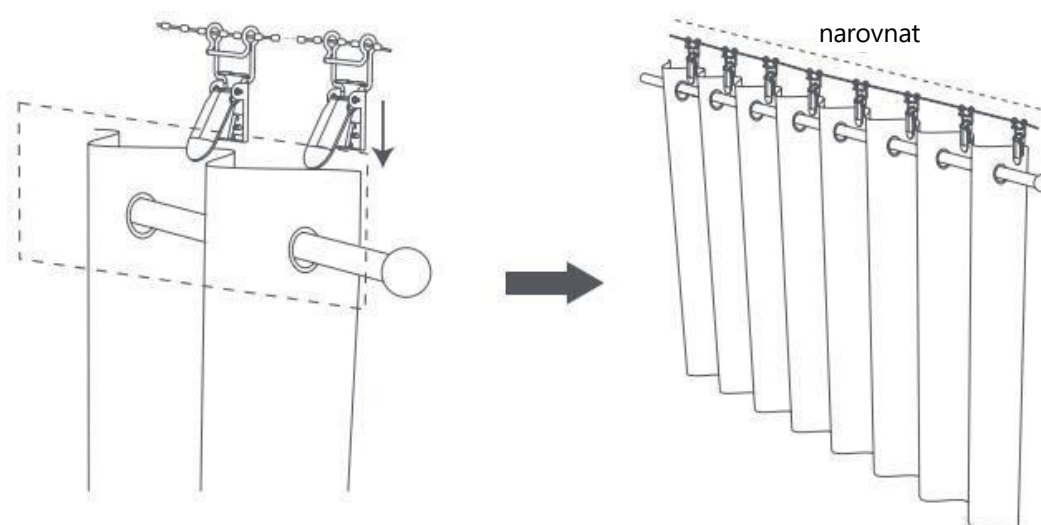
2. Vyjměte příslušenství, nasadte korálky na klip, jak je znázorněno na obrázku níže (ujistěte se, že na konci klipu jsou dva korálky).



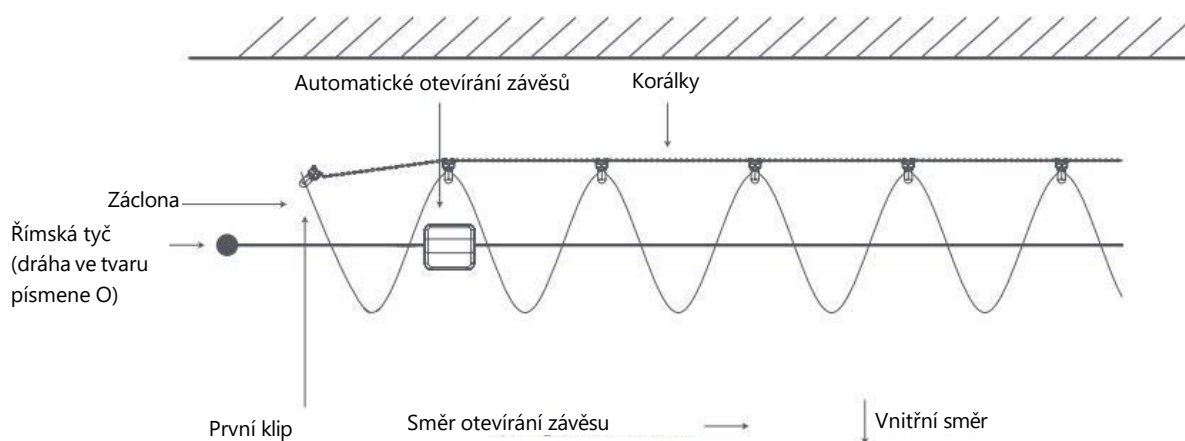
3. Změřte vzdálenost N mezi dvěma sousedními liniemi záhybu.
4. Narovnejte korálky, nainstalujte korálky na druhý klip podle naměřené vzdálenosti a ujistěte se, že vzdálenost mezi prvním a druhým klipem je N . Na základě vzdálenosti mezi prvním a druhým klipem najděte pozice pro další klipy na korálky a ujistěte se, že vzdálenosti mezi jednotlivými klipy jsou stejné a jsou N .



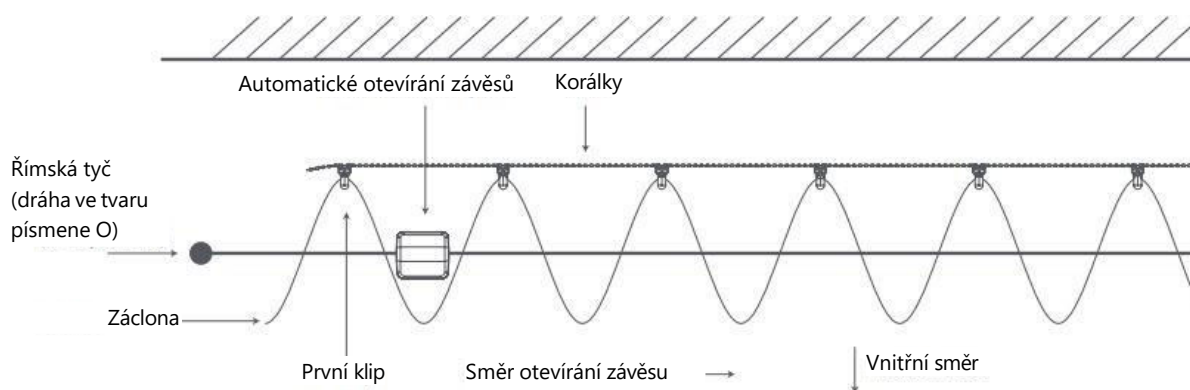
5. Připevněte svorky k linii záhybu záclony směřující ven. Při montáži je třeba klip umístit v horní oblasti záclony a upnout jej pouze na prvních několika výstupcích záclony ze směru úplného zavření do směru úplného otevření.
6. Při instalaci všech klipů na záclonu se pokuste ji otevřít a zavřít a ujistěte se, že je pásek korálků při zavírání narovnaný. Zbytek pásku můžete odstříhnout nebo schovat za závěs.



Případ 1: První otvor ve směru otevírání závěsu směřuje ven.



Případ 2: První otvor ve směru otevírání závěsu směřuje do interiéru.



Pokyny k rozbočovači a dálkovému ovládní

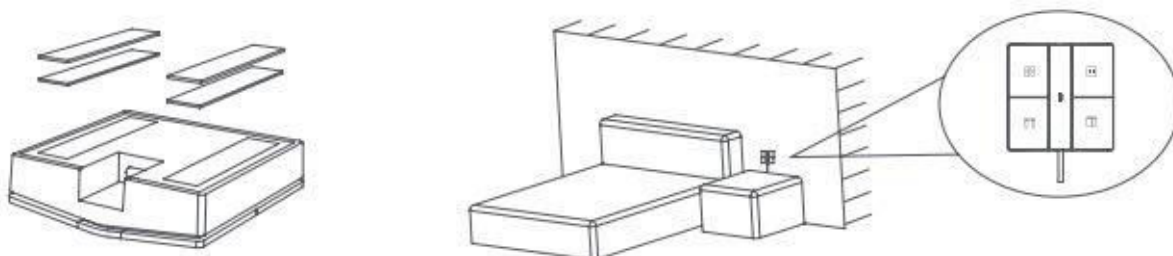
Aby bylo zajištěno, že motor závěsu lze normálně používat a že jej lze připojit k platformě třetí strany, je třeba před použitím motoru závěsu připojit dálkový ovladač rozbočovače k adaptéru (který jste si připravili) a ten by měl být vždy zapnutý a měl by být normálně připojen k síti Wi-Fi.

Rozbočovač a dálkové ovládní můžete umístit na čistý, rovný a stabilní povrch, například na noční stolek nebo na zeď.

1. Vyjměte poutko na suchý zip z balení příslušenství a odstraňte izolační papír na zadní straně.
2. Vložte smyčku suchého zipu do drážky na zadní straně rozbočovače a dálkového ovladače a na 1 minutu ji přitlačte, aby se samolepicí páska vytvrdila.
3. Zkontrolujte, kam chcete lepit, a otřete povrch čistým hadříkem.
4. Přilepte háček na suchý zip na smyčku, poté odstraňte izolační papír za háčkem na suchý zip, přilepte celý rozbočovač a dálkové ovládní na vybrané místo a stiskněte jej na 1 minutu, aby se zajistilo vytvrzení samolepicího materiálu.

Upozornění:

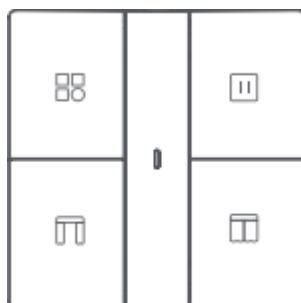
- Během celého procesu nestiskněte tlačítko rozbočovače a dálkového ovladače.
- Rozbočovač podporuje pouze automatické otevírání záclon Yeelight.



Pokyny k tlačítkům dálkového ovládání rozbočovače

- ☐ Vlastní tlačítko: Přesun závěsu do nastavené polohy, kterou lze nastavit v aplikaci.
- ☐ Tlačítko pozastavení: Závěs se přestane pohybovat.
- ☐ Tlačítko úplného otevření: Úplné otevření závěsu.
- ☐ Tlačítko úplného zavření: Zcela zavře závěsy.

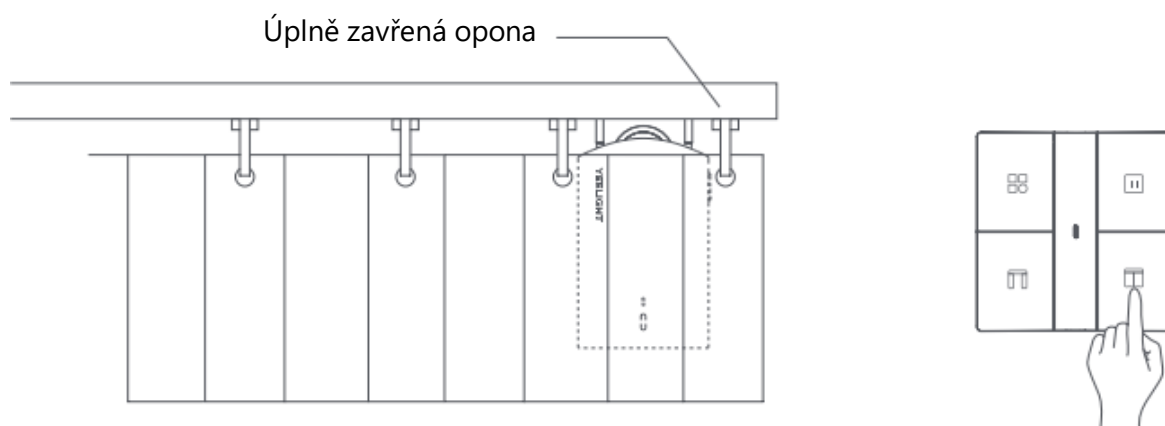
Poznámka: Dálkové ovládání se projeví až poté, co automatický otvírač záclon Yeelight dokončí nastavení kalibrace. Postup kalibrace naleznete v průvodci instalací v aplikaci.



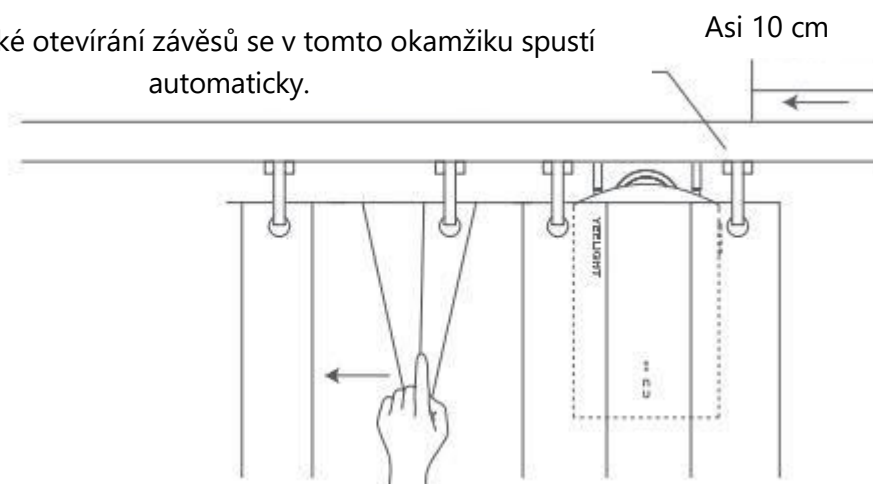
Nastavení automatické kalibrace

Automatická kalibrace jednopanelové opony

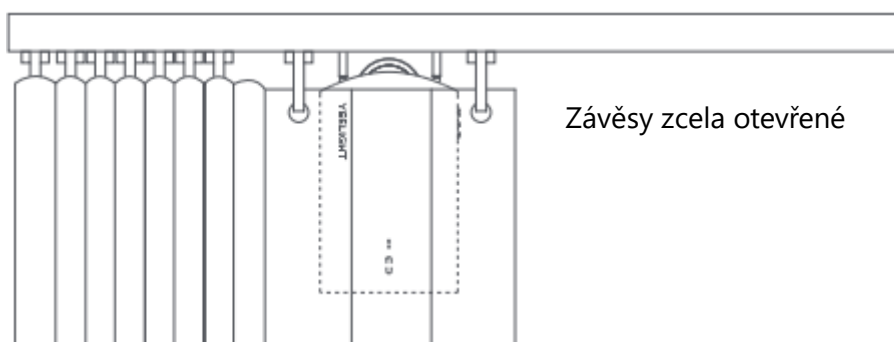
1. Nastavte automatický otvírač závěsů do polohy, kdy je závěs zcela zavřený.
2. Rychle 5krát klikněte na zcela zavřené tlačítko na rozbočovači a dálkovém ovladači. V tomto okamžiku začnou kontrolky rozbočovače a dálkového ovladače a automatického otvírače záclon pomalu blikat modře, což znamená, že automatický otvírač záclon i rozbočovač a dálkový ovladač jsou v režimu automatické kalibrace.
3. Jemně zatáhněte za závěs asi 10 cm ve směru úplného otevření a automatický otvírač závěsů se automaticky posune ve směru úplného otevření. Poté, co se závěs přestane pohybovat nebo se přesune do určené polohy, znovu klikněte na tlačítko úplného zavření.



Automatické otevírání závěsů se v tomto okamžiku spustí automaticky.



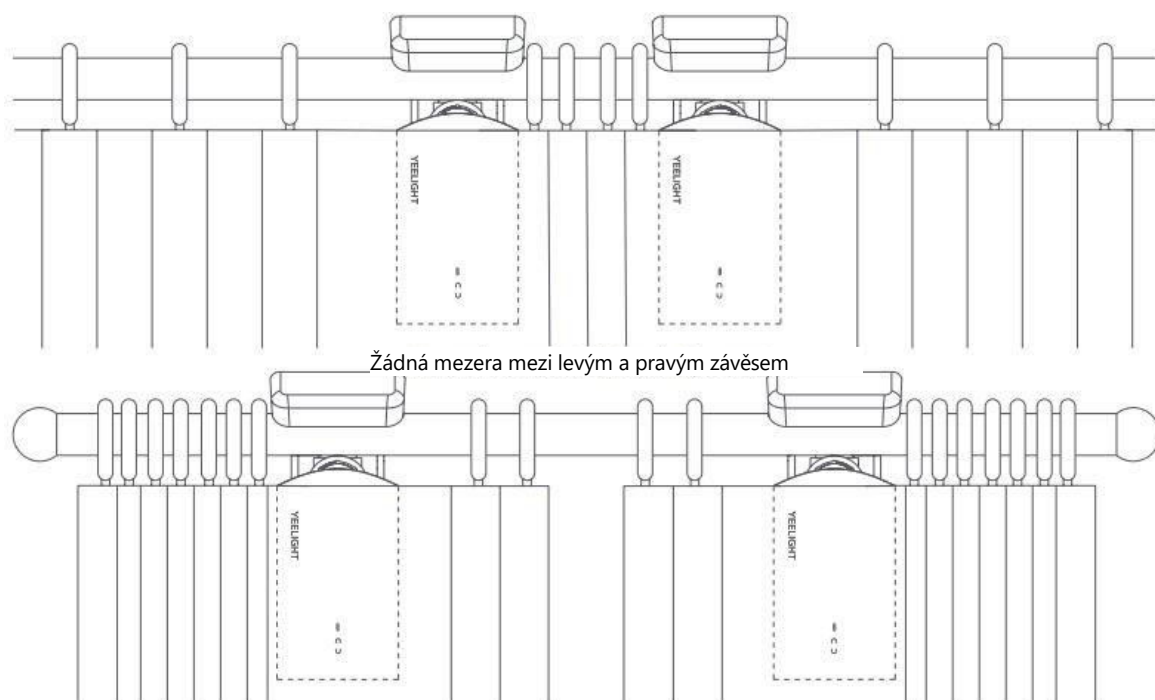
4. Modré kontrolky automatického otvírače závěsů a rozbočovače a dálkového ovladače přestanou blikat.
5. Dokončete automatickou kalibraci.



Automatická kalibrace dvoupanelových závěsů:

Viz způsob nastavení trasy jednopanelové záclony a nastavte trasy levého a pravého automatického otvírače záclon Yeelight.

Poznámka: Při ručním zatahování záclon zatáhněte střídavě levou a pravou záclonu asi o 10 cm do úplného otevření a poté, co motory záclon na levé a pravé straně dosáhnou obou konců záclonové dráhy nebo se přesunou do určené polohy, znovu klikněte na tlačítko úplného zavření na dálkovém ovladači.



Varování:

1. Výrobek není hračka, prosíme, aby se k němu děti nepřibližovaly.
2. Pouze pro vnitřní použití, nepoužívejte jej venku.
3. Výrobek není odolný proti vlhkosti, nerozlévejte na něj vodu ani jiné tekutiny.
4. Výrobek uchovávejte mimo dosah tepla.
5. Pokud se výrobek během používání porouchá, předejte jej k opravě autorizovaným odborníkům a nepokoušejte se jej opravit sami.

Skupina automatického otevírání záclon Yeelight a rozbočovače a dálkového ovládání

(Tohle proveďte, když na motoru bliká modrý indikátor)

1. Stiskněte a podržte tlačítko automatického otvírače závěsů, který má být seskupen, po dobu 5 s, dokud nezačne blikat modrý indikátor.
2. Stiskněte a podržte tlačítko úplného otevření a tlačítko pauzy na dálkovém ovladači Hub & Remote po dobu 10 s, dokud nezačne blikat modrý indikátor na dálkovém ovladači Hub & Remote.
3. Po seskupení automatického otvírače záclon a dálkového ovladače brány bude automatický otvírač záclon pohánět záclonu tak, aby se na krátkou vzdálenost pohybovala doleva a doprava, a současně přestanou blikat modré kontrolky automatického otvírače záclon.
4. Pokud přestane blikat modrý indikátor na rozbočovači a dálkovém ovladači, ale modrý indikátor na automatickém otvírači závěsů stále bliká, opakujte výše uvedené kroky, dokud nepřestanou blikat oba modré indikátory automatického otvírače závěsů a rozbočovače a dálkového ovladače, což znamená, že seskupení proběhlo úspěšně.

Pokyny k tlačítkům

	Ovládání tlačítek	Pokyny
Automatické otevírání závěsů	Stiskněte a podržte tlačítko po dobu 5 s	Vstup do režimu automatického otevírání závěsů a skupiny Hub & Remote
	Klikněte nebo stiskněte a podržte tlačítko po dobu kratší než 5 s	Automatické otevírání závěsů se zastaví

	Ovládání tlačítek	Pokyny
Rozbočovač a dálkové ovládání	Vlastní tlačítko	Přesuňte závěs do nastavené polohy, v aplikaci APP můžete nastavit libovolnou polohu.
	Tlačítko pro úplné otevření	Úplné roztažení závěsů
	Tlačítko pro úplné zavření	Úplně zatažení závěsů
	Tlačítko pauzy	Automatické otevírání závěsů se zastaví
	Stiskněte a podržte současně tlačítko pauzy + tlačítko úplného otevření po dobu 10 s	Vstup do režimu automatického otevírání závěsů a skupiny Hub & Remote
	Stiskněte a podržte současně tlačítko vlastní + úplně zavřené po dobu 3 s.	Hub & Remote vstupuje do distribuční sítě a přidává se do režimu účtu.
	Rychle klikněte na tlačítko úplného zavření 5krát za sebou.	Automatické otevírání závěsů a rozbočovač a dálkové ovládání přejdou do režimu automatické kalibrace

Pokyny k indikátoru

	Ovládání tlačítek	Pokyny
Automatické otevírání závěsů	Bílý indikátor svítí po dobu 1 s	Zapnutí automatického otevírání závěsů
	Bílý indikátor jednou blikne	Klikněte na tlačítko
	Modrý indikátor rychle bliká	Skupinový režim s rozbočovačem a dálkovým ovládáním
	Modrý indikátor pomalu bliká	Automatický otvírač závěsů přechází do režimu automatické kalibrace

	Ovládání tlačítek	Pokyny
Rozbočovač a dálkové ovládání	Bílý indikátor svítí po dobu 1 s	Zapnutí rozbočovače a dálkového ovládání
	Bílý indikátor pomalu bliká	Zjištění sítě
	Bílý indikátor rychle bliká	Rozbočovač a dálkový ovladač přejde do režimu vytváření sítě a přidání k účtu.
	Modrý indikátor rychle bliká	Skupinový režim s automatickým otevíráním závěsů
	Modrý indikátor pomalu bliká	Rozbočovač a dálkové ovládání přejde do režimu automatické kalibrace
	Modrý indikátor jednou blikne	Automatické otevírání závěsů nenastavilo trasu

Pokyny pro nabíjení

Zasuňte zástrčku nabíjecího kabelu USP typu C do nabíjecího portu na automatickém otvírači záclon Yeelight nebo vyjměte samostatně sadu baterií za automatickým otvíračem záclon Yeelight a druhý konec zasuňte do adaptéru pro nabíjení.

	Ovládání tlačítek	Pokyny
Automatické otevírání závěsů	Bílý indikátor bliká	Nabíjení
	Bílý indikátor stále svítí	Nabíjení je dokončeno a adaptér není vyjmut

Obnovení továrního nastavení

Stiskněte a podržte současně tlačítka Vlastní a Úplně zavřít na dálkovém ovladači Hub & Remote po dobu 3 sekund, dokud nezačne blikat bílý indikátor dálkového ovladače Hub & Remote, což znamená, že dálkový ovladač Hub & Remote byl resetován do továrního nastavení.

Varování:

Po obnovení továrního nastavení může dojít ke ztrátě všech nastavení a bude nutné zařízení znovu přidat k účtu a znovu zkalibrovat trasu.

Specifikace

Automatické otevírání závěsů

Model	YLCDJ-0009
Rozměr	79 x 166 x 72 mm
Jmenovitý točivý moment	0,2 N m
Pracovní doba	S2 4 min
Jmenovité napětí	5 V $\overline{=}$
Jmenovitý výkon	6 W
Rychlost pohybu	7 cm/s

Zkušební podmínky: (Výsledky testu pocházejí z kontrolního experimentu laboratoře Yeelight, životnost baterie se může lišit v důsledku různých podmínek).

Rozbočovač a dálkové ovládání

Model	YLCDJ-0011
Rozměr	65 x 65 x 18 mm
Jmenovité napětí	5 V ---
Jmenovitý proud	1 A

Poznámky:

1. Pouze pro vnitřní použití.
2. Z bezpečnostních důvodů se doporučuje používat v nadmořské výšce nižší než 2000 metrů.
3. " --- " Symbol označuje stejnosměrný proud (DC).

Kompatibilní s: Android id 4.4 nebo iOS 10.0 a vyšší.

Bezdrátové připojení: Wi-Fi IEEE 802.11b/g/n 2,4 GHz. Bluetooth 4.2 BLE, Zigbee

Pracovní frekvence: 2412-2472 MHz (Wi-Fi), 2402-2480 MHz (BT), 2405-2480 MHz (Zigbee)

Maximální výstupní výkon: 16,24 dBm (Wi-Fi), 2 dBm (BT), 6,06 dBm (Zigbee).

EU prohlášení o shodě

Tímto Quingdao Yeelink Information Technology Co., prohlašuje, že typ zařízení Y00409 jsou v souladu se směrnicemi EU. Úplné znění EU prohlášení o shodě je k dispozici na této internetové adrese: <https://edshop.edsystem.cz/prohlaseni-o-shode/article-28393>

WEEE

Tento výrobek nesmí být likvidován jako běžný domovní odpad v souladu se směrnicí EU o odpadních elektrických a elektronických zařízeních (WEEE - 2012/19 / EU). Místo toho musí být vrácen na místo nákupu nebo předán na veřejné sběrné místo recyklovatelného odpadu. Tím, že zajistíte správnou likvidaci tohoto výrobku, pomůžete předejít možným negativním důsledkům pro životní prostředí a lidské zdraví, které by jinak mohly být způsobeny nevhodným nakládáním s odpadem z tohoto výrobku. Další informace získáte na místním úřadě nebo na nejbližším sběrném místě. Nesprávná likvidace tohoto typu odpadu může mít za následek pokuty v souladu s vnitrostátními předpisy.

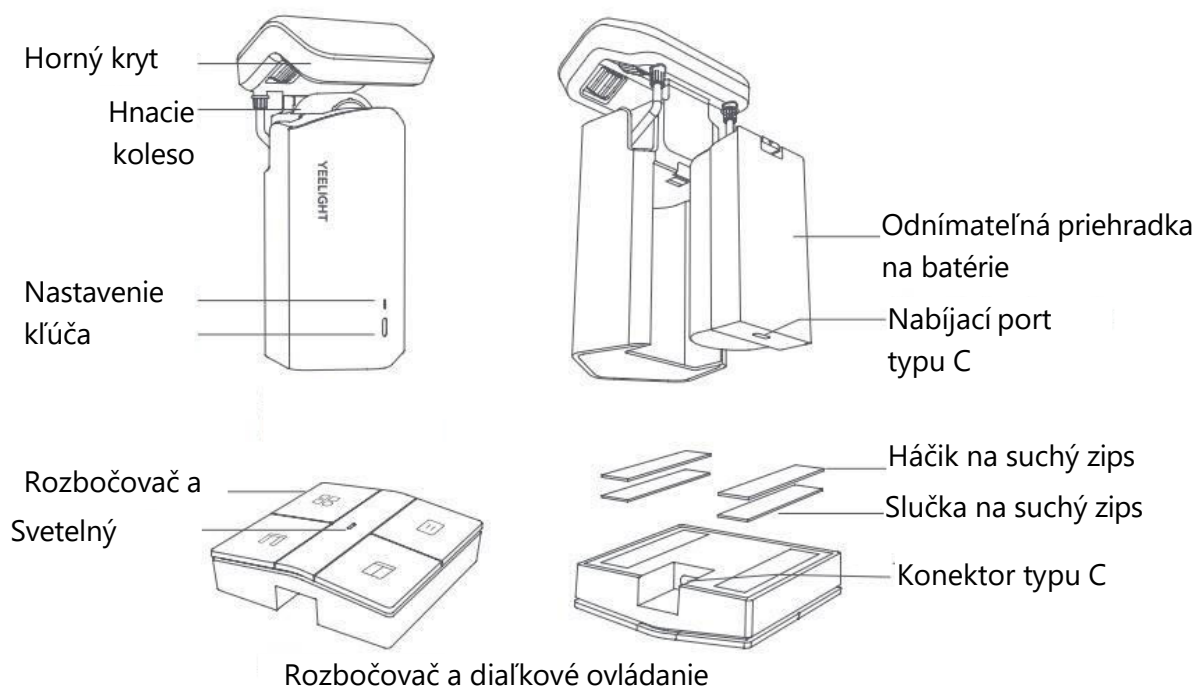


Varovanie

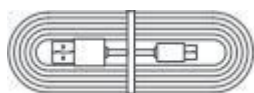
1. Dôležité bezpečnostné pokyny. Z hľadiska bezpečnosti osôb je dôležité dodržiavať tieto pokyny. Uložte si tieto pokyny.
2. Deti by mali byť pod dohľadom, aby sa so spotrebičom nehrali.
3. Nedovoľte deťom hrať sa s pevnými ovládacími prvkami. Diaľkové ovládače držte mimo dosahu detí.
4. Často kontrolujte inštaláciu, či nie je nevyvážená a či sa neobjavili známky opotrebovania alebo poškodenia pružín lán a upevňovacích prvkov. Ak je potrebná oprava alebo nastavenie, nepoužívajte ho.
5. Varovanie: Pri čistení, údržbe a výmene dielov musí byť pohon odpojený od zdroja napájania.
6. Varovanie: Dôležité bezpečnostné pokyny. Dodržiavajte všetky pokyny, pretože nesprávna inštalácia môže viesť k vážnym zraneniam.
7. Pred inštaláciou jednotky odstráňte všetky nepotrebné káble a vypnite všetky zariadenia, ktoré nie sú potrebné na napájanie.
8. Ovládací prvok ručného uvoľňovača nainštalujte vo výške menšej ako 1,8 m.
9. Vlastnosti poháňanej časti musia byť v súlade s menovitým krútiacim momentom a menovitým prevádzkovým časom.
10. Pevné ovládacie prvky musia byť po inštalácii jasne viditeľné.
11. Tento spotrebič nie je určený na používanie osobami (vrátane detí so zníženými fyzickými, zmyslovými alebo duševnými schopnosťami alebo s nedostatkom skúseností a znalostí, pokiaľ im osoba zodpovedná za ich bezpečnosť neposkytla dohľad alebo pokyny týkajúce sa používania spotrebiča. (Pre trh mimo EÚ a UKCA).
12. Tento spotrebič môžu používať deti od 8 rokov a staršie a osoby so zníženými fyzickými, zmyslovými alebo duševnými schopnosťami alebo s nedostatkom skúseností a znalostí, ak boli pod dohľadom alebo boli poučené o používaní spotrebiča bezpečným spôsobom a rozumejú príslušným nebezpečenstvám. (Pre trh EÚ a UKCA)
13. Čistenie a užívateľskú údržbu nesmú vykonávať deti bez dozoru.
14. Výrobok obsahuje dobíjateľnú lítiovú batériu, ktorá je pri likvidácii škodlivá pre životné prostredie. Pred vyradením batérie ju vyberte z batérievej súpravy. Potiahnite pozdĺž deliacej čiary súpravy batérií a vyberte batériu. Odstránené batérie by mala zlikvidovať odborná recyklačná organizácia.
15. Pri bežnom používaní tohto zariadenia by mala byť vzdialenosť medzi anténou a telom používateľa minimálne 20 cm.
16. Hmotnosť a rozmery poháňanej časti musia zodpovedať menovitému krútiacemu momentu a menovitému prevádzkovému času.

Úvod

Yeelight Automatic Curtain Opener je inteligentný ovládač záclon. Výrobok má malé rozmery a ľahko sa inštaluje. Dokáže realizovať inteligentné ovládanie tradičných záclon bez nutnosti výmeny pôvodnej záclonovej dráhy. Výrobok má vstavanú lítiovú batériu a je dodávaný s rozbočovačom a diaľkovým ovládačom, ktorý umožňuje rýchly prístup k hlasovej platforme pre realizáciu funkcií, ako je diaľkové ovládanie aplikácie, hlasové ovládanie pre otváranie a zatváranie záclon a interakcie s ďalšími šikovnými zariadeniami pripojenými k inteligentnej platforme. Okrem toho môžu používatelia tiež rýchlo ovládať štyri tlačidlá na diaľkovom ovládači Hub & Remote (úplné zapnutie, úplné vypnutie, pozastavenie a vlastné: spustenie jedným tlačidlom a presun do určenej polohy).



Zoznam príslušenstva



Napájací kábel z USB na typ C x 1



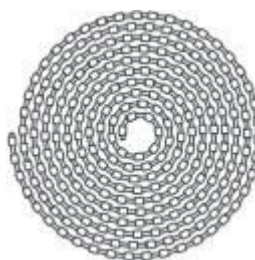
Háčik na suchý zips x 2
Slučka na suchý zips x 2



Držiak proti pádu
Jeden panel:
Dvojitý panel:
2
4



Koráľkový klip
Jednoduchý panel: 8
Dvojitý panel: 16



Koráľky
Jeden panel:
Dvojitý panel
:
4m

Tip: V dôsledku aktualizácie a aktualizácie výrobku sa skutočný výrobok môže mierne líšiť od schémy, pozrite si prosím skutočný výrobok.

Pokyny

Inštruktážne video

Naskenujte QR kód a pozrite si inštruktážne video alebo postupujte podľa pokynov na inštaláciu a používanie.

Tip: Aby sa zabezpečil efekt inštalácie výrobku, pred inštaláciou utrite povrch záclonovej dráhy, aby ste odstránili prach na povrchu.

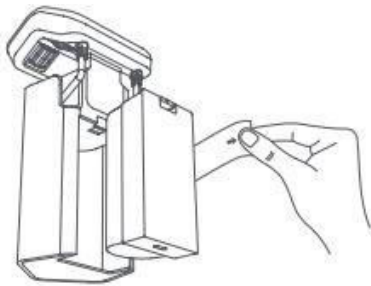


Naskenujte kód a pozrite si inštruktážne video.

Príručka na prvé použitie

1. Podporuje smartfóny a tablety so systémom Android 4.4 a iOS 10.0 a vyšším.
2. Naskenujte nižšie uvedený QR kód alebo vyhľadajte v obchode APP store alebo Google a stiahnite si aplikáciu "Mi Home".
3. Otvorte aplikáciu Mi Home APP a zaregistrujte si konto "Mi Home" alebo sa prihláste priamo, ak konto máte.
4. Pripojte telefón k internetu. Uistite sa, že je k dispozícii sieť Wi-Fi a môžete normálne pristupovať k internetu (výrobok nepodporuje sieť 5G).
5. Vyberte rozbočovač a diaľkové ovládanie a pripojte napájací kábel a adaptér (adaptér si musíte nakonfigurovať sami, DC5V 1A s portom USB).

6. Vyberte priehradku na batérie automatického otvárania záclon Yeelight, vyberte oddeľovač batérií, opäť nainštalujte priehradku na batérie a prvýkrát nabíjajte automatické otváranie záclon Yeelight viac ako 3 hodiny, kým biely indikátor neprestane blikať (úplné nabitie trvá približne 6 hodín).
7. Otvorte aplikáciu "Mi Home" APP, kliknite na "+" v pravom hornom rohu domovskej stránky a pridajte zariadenia podľa pokynov APP; Poznámka: Po inštalácii produktu na trati presne nastavte trasu, pozrite si nasledujúcu stranu s pokynmi na inštaláciu.
Tip: V dôsledku aktualizácie a aktualizácie aplikácie "Mi Home" APP sa skutočná prevádzka môže mierne líšiť od vyššie uvedeného opisu, pracujte podľa aktuálnej aplikácie "Mi Home" APP.
8. K účtu Mi Home môžete pripojiť viacero služieb tretích strán.



Alexa, zatahni záves

OK Google, zatahni mĹ záves v spĹlnĹ

Inštalácia

Automatický otvárač záclon Yeelight (koľajnica v tvare O) podporuje iba koľajnice v tvare O. Prierez záclonovej dráhy a zodpovedajúca veľkosť sú znázornené na obrázku nižšie.

Upozornenie:

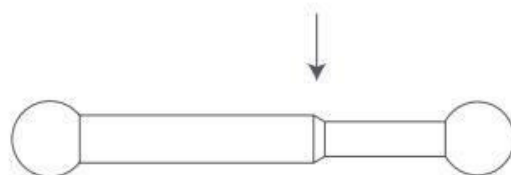
- Ak ho potrebujete nainštalovať na koľajnice v tvare I a C, zakúpte si príslušnú verziu automatického otvárania záclon Yeelight a sú len referenčné. Z dôvodu aktualizácie a aktualizácie výrobku sa skutočný výrobok môže mierne líšiť od schémy, pozrite si prosím skutočný výrobok.

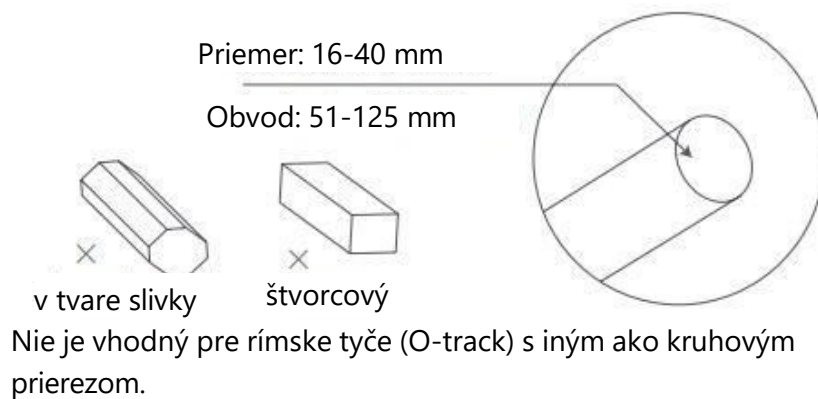
Priemer tyče by mal byť v rozmedzí 16-40 mm alebo obvod by mal byť v rozmedzí 51-125 mm, podľa toho, čo spĺňa jednu z týchto dvoch podmienok.

Na oboch stranách tyče musia byť tesne priliehajúce tesnenia.

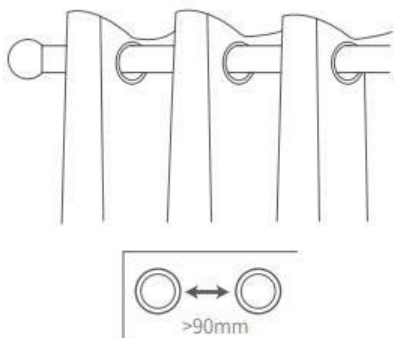


Vhodné pre teleskopickú rĹmsku tyč (O-track)

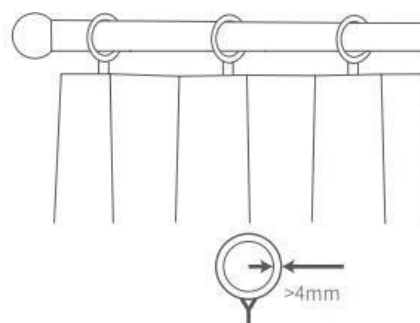




Vhodné pre záclony s priechodkou. Ak sa používa na záclony s priechodkami, uistite sa, že najkratšia vzdialenosť medzi susednými priechodkami je väčšia ako 90 mm.



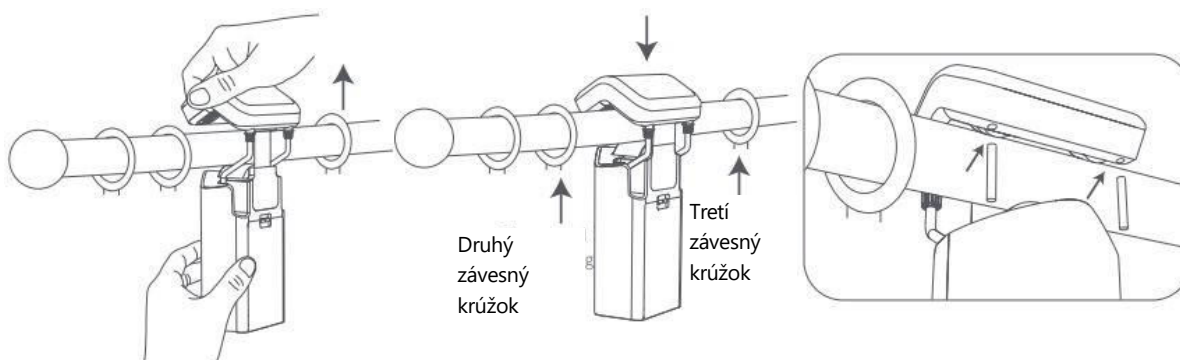
Vhodné pre kruhové záclony. Ak sa používa na krúžkové záclony, uistite sa, že hrúbka závesného krúžku je väčšia ako 4 mm.



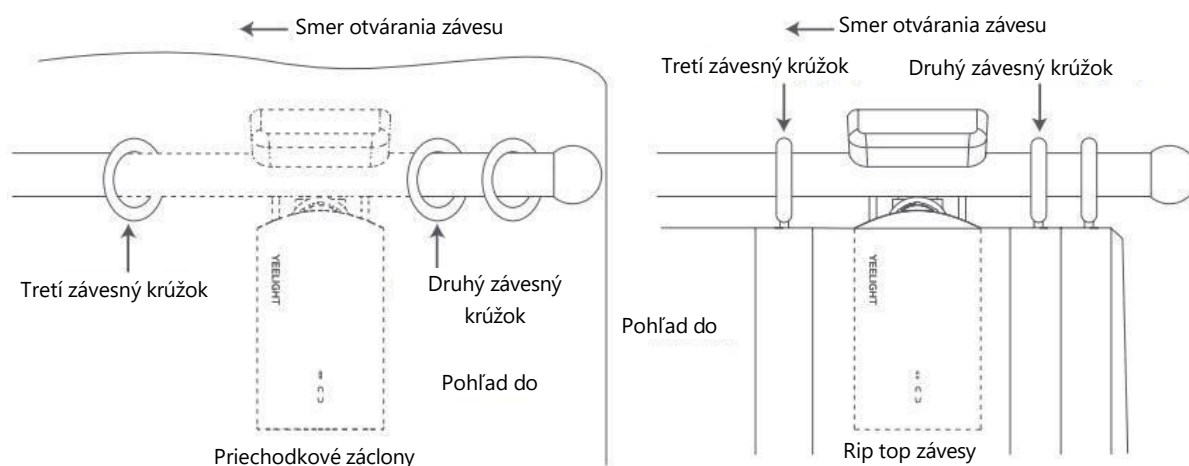
Inštalácia automatického otvárania záclon na koľajnicu

Vytiahnite horný kryt motora záclony nahor do maximálnej polohy, nainštalujte motor záclony do smeru otvárania záclony s rímskou tyčou (O-track) a v strede druhej a tretej priechodky nechajte horný kryt motora záclony a hnacie koleso upnúť na dráhu.

Aby sa zabránilo pádu motora záclony počas abnormálneho pohybu v dôsledku vzoru alebo deformácie dráhy záclony, odporúča sa nainštalovať držiak proti pádu.



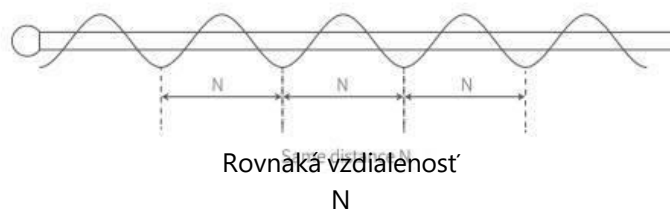
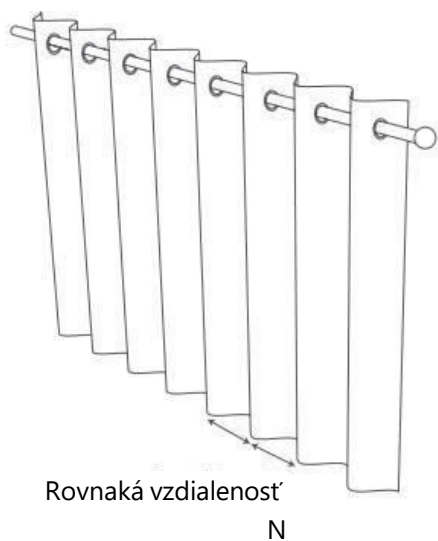
Obnovte ho a inštalácia je dokončená.



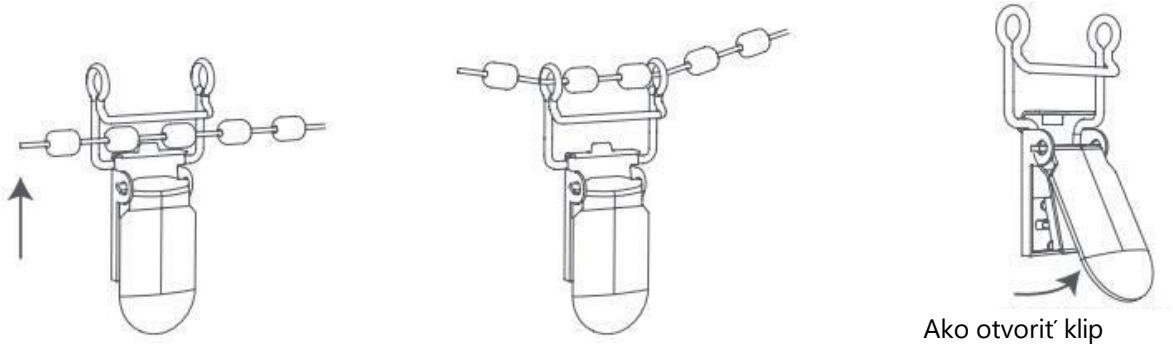
Príslušenstvo pre záclony s priechodkou (nevyžaduje sa pre kruhové záclony)

Keďže vnútorný priemer rímskeho krúžku priechodkovej záclony je podobný vonkajšiemu priemeru rímskej tyče (koľajnice v tvare písmena O) a kvôli jej štruktúre je ťažké ťahať (úplne otvoriť záclonu naraz), je potrebné pridať príslušenstvo, aby bola záclona rovnomerne rozložená, čo môže znížiť silu ťahania a zachovať krásu záclony.

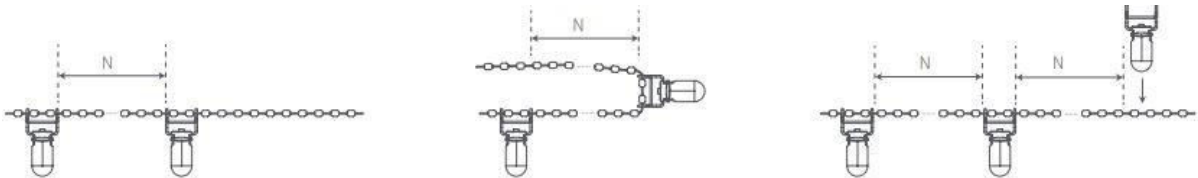
1. Úplne zatvorte záves a uistite sa, že vzdialenosti medzi jednotlivými fol life sú približne rovnaké.



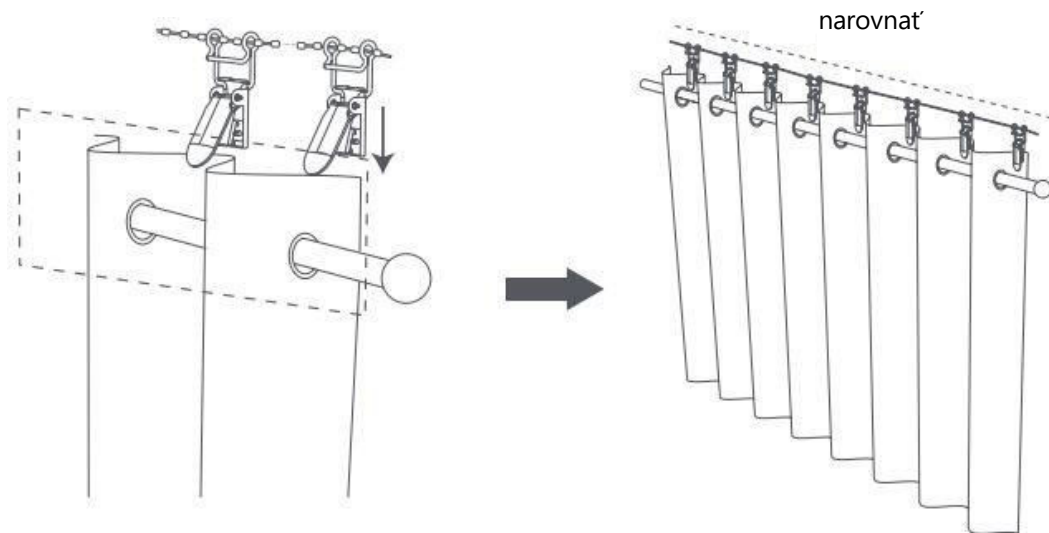
2. Vyberte príslušenstvo, namontujte korálky na klip, ako je znázornené na obrázku nižšie (uistite sa, že na konci klipu sú dve korálky).



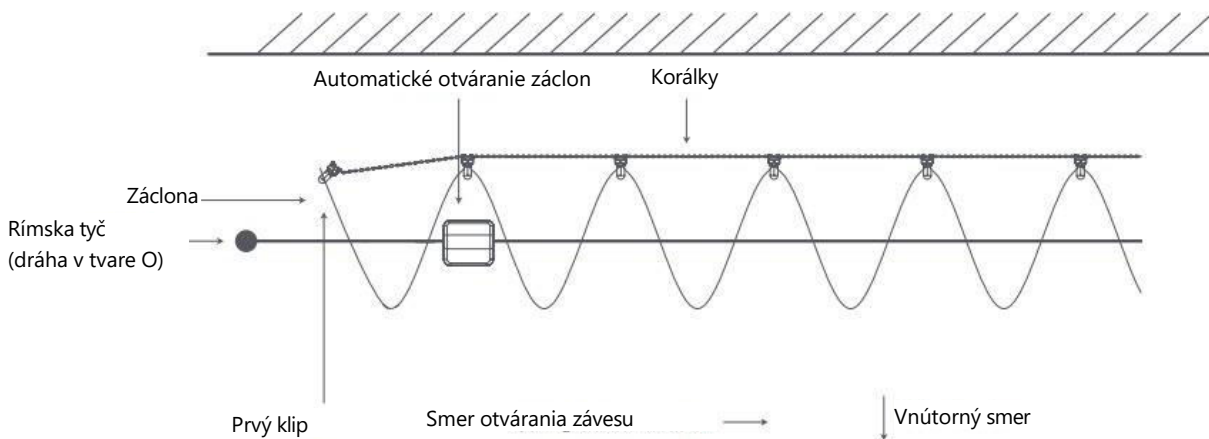
3. Zmerajte vzdialenosť N medzi dvoma susednými líniami záhybu.
4. Narovnajte korálky, nainštalujte korálky na druhý klip podľa nameranej vzdialenosti a uistite sa, že vzdialenosť medzi prvým a druhým klipom je N . Na základe vzdialenosti medzi prvým a druhým klipom nájdite pozície pre ostatné klipy na korálky a uistite sa, že vzdialenosť medzi jednotlivými klipmi je rovnaká a je N .



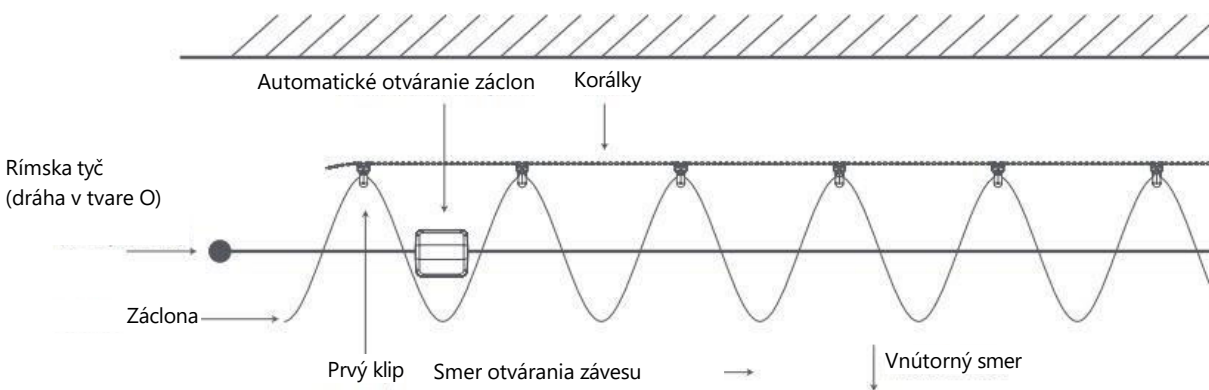
5. Pripevnite svorky k línii záhybu záclony smerujúcej von. Počas inštalácie je potrebné umiestniť sponu v hornej oblasti záclony a upnúť ju len na prvých niekoľkých výstupkoch záclony od úplne zatvoreného smeru po úplne otvorený smer.
6. Pri inštalácii všetkých klipov na záves sa pokúste otvoriť a zatvoriť záves a uistite sa, že je pásik s korálkami pri zatváraní narovnaný. Zvyšný prúžok môžete odstrihnúť alebo skryť za záves.



Prípád 1: Prvý otvor v smere otvárania závesu smeruje von.



Prípád 2: Prvý otvor v smere otvárania závesu smeruje do interiéru.



Pokyny pre rozbočovač a diaľkové ovládanie

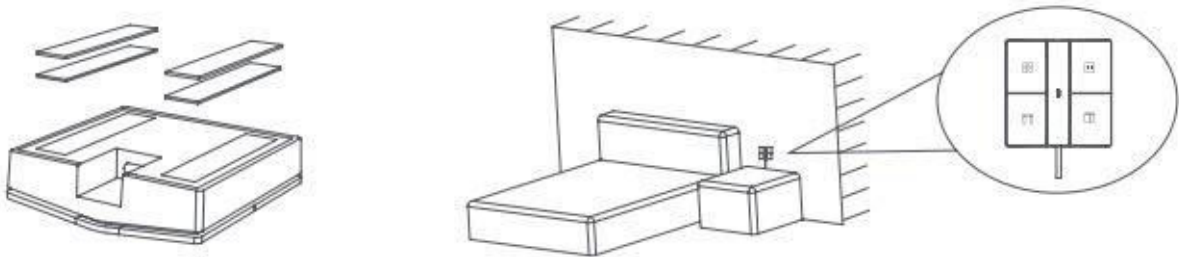
Aby sa zabezpečilo normálne používanie motora závesu a jeho pripojenie k platforme tretej strany, je potrebné pred použitím motora závesu pripojiť diaľkový ovládač rozbočovača k adaptéru (ktorý ste si pripravili), ktorý by mal byť vždy zapnutý a mal by sa dať normálne pripojiť k sieti Wi-Fi.

Rozbočovač a diaľkové ovládanie môžete pripevniť na čistý, rovný a stabilný povrch, napríklad na nočný stolík alebo na stenu.

1. Z balenia príslušenstva vyberte pútko na suchý zips a odstráňte izolačný papier na zadnej strane.
2. Vložte slučku suchého zipsu do drážky na zadnej strane rozbočovača a diaľkového ovládača a stlačte ju na 1 minútu, aby sa zabezpečilo vytvrdenie samolepiaceho materiálu.
3. Potvrďte, kam chcete lepiť, a utrite povrch čistou handričkou.
4. Prilepte háčik na suchý zips na slučku, potom odstráňte izolačný papier za háčikom na suchý zips, prilepte celý Hub & Remote na vybrané miesto a stlačte ho na 1 minútu, aby sa zabezpečilo vytvrdenie samolepiaceho materiálu.

Upozornenie:

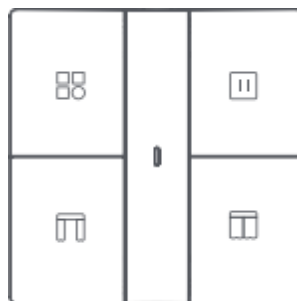
- Počas celého procesu nestláčajte tlačidlo rozbočovača a diaľkového ovládača.
- Rozbočovač podporuje iba automatické otváranie záclon Yeelight.



Pokyny k tlačidlám diaľkového ovládania rozbočovača

- ☒ Vlastné tlačidlo: Presunie záves do nastavenej polohy, ktorú možno nastaviť v aplikácii.
- ⏏ Tlačidlo pozastavenia: Záves sa prestane pohybovať.
- ☒ Tlačidlo Úplné otvorenie: Úplné otvorenie záclony.
- ☒ Tlačidlo úplného zatvorenia: Úplné zatvorenie závesov.

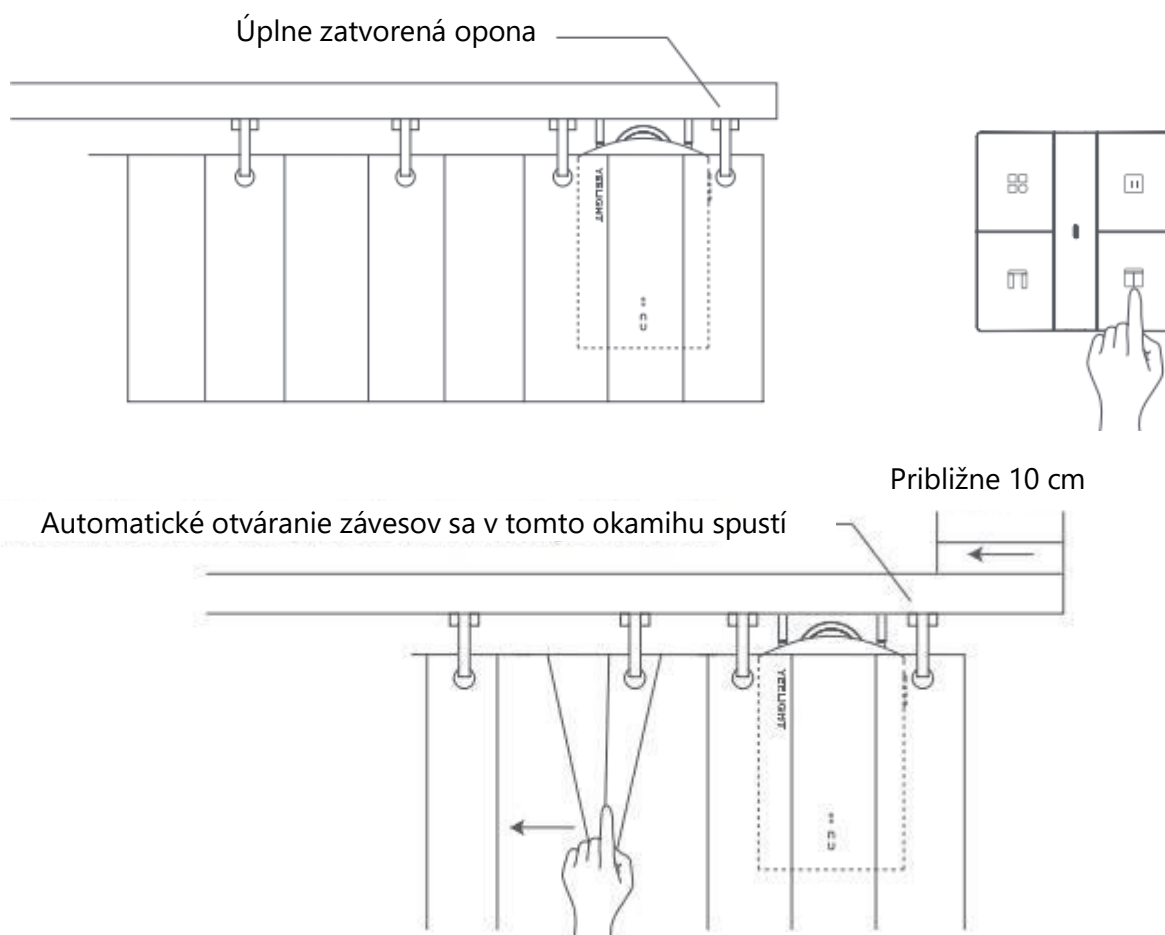
Poznámka: Diaľkové ovládanie sa prejaví až po dokončení kalibračných nastavení automatického otvárania záclon Yeelight. Postup kalibrácie nájdete v sprievodcovi inštaláciou v aplikácii.



Nastavenia automatickej kalibrácie

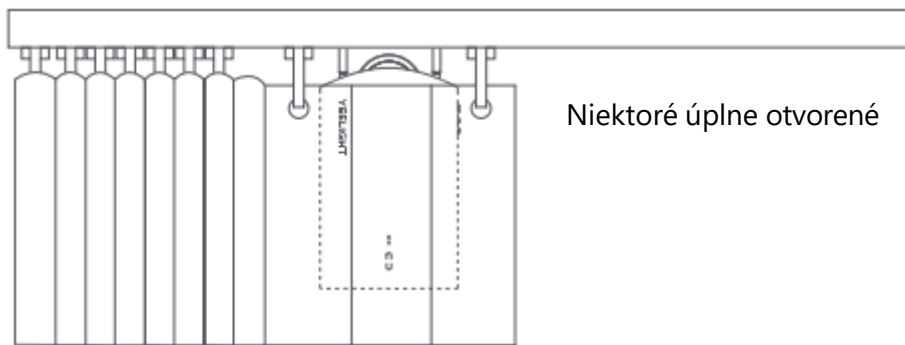
Automatická kalibrácia jedнопanelovej záclony

1. Umiestnite automatický otvárač závesov do polohy, v ktorej je záves úplne zatvorený.
2. Rýchlo 5-krát kliknite na úplne zatvorené tlačidlo na rozbočovači a diaľkovom ovládači. V tomto okamihu začnú kontrolky rozbočovača a diaľkového ovládača a automatického otvárania záclon pomaly blikať na modro, čo znamená, že automatické otváranie záclon aj rozbočovač a diaľkový ovládač sú v režime automatickej kalibrácie.
3. Jemne potiahnite záves asi 10 cm v smere úplného otvorenia a automatický otvárač závesov sa automaticky presunie do smeru úplného otvorenia. Keď sa záves prestane pohybovať alebo sa presunie do určenej polohy, opäť kliknite na tlačidlo úplného zatvorenia.



4. Modré indikátory automatického otvárania závesov a rozbočovača a diaľkového ovládača prestanú blikať.

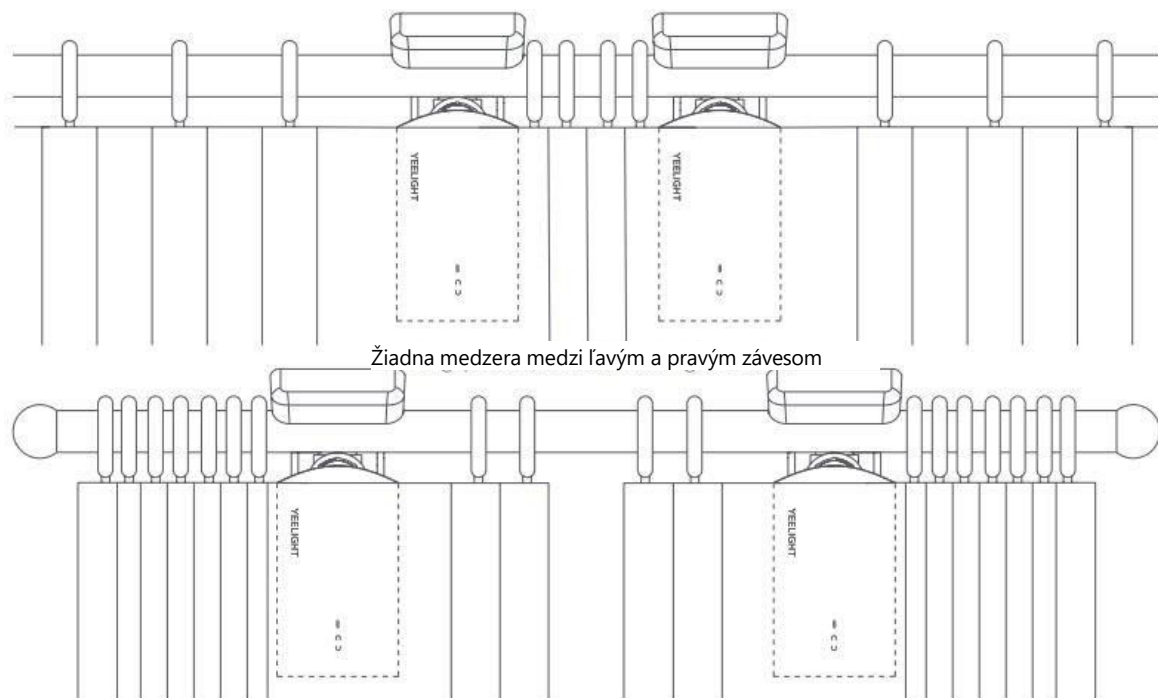
5. Dokončíte automatickú kalibráciu.



Automatická kalibrácia dvojpanelových závesov:

Pozrite si spôsob nastavenia trasy jedнопanelovej záclony a nastavte trasy ľavého a pravého automatického otvárania záclon Yeelight.

Poznámka: Pri ručnom zatahnutí záclon zatahnite postupne ľavú a pravú záclonu asi o 10 cm do úplne otvoreného smeru a po tom, ako motory záclon na ľavej a pravej strane dosiahnu oba konce dráhy záclony alebo sa presunú do určenej polohy, kliknite opäť na tlačidlo úplného zatvorenia na diaľkovom ovládači.



Varovanie:

1. Výrobok nie je hračka, prosím, aby sa k nemu deti nepribližovali.
2. Je určený len na použitie v interiéri, nepoužívajte ho vonku.
3. Výrobok nie je odolný voči vlhkosti, prosím, nevyliievajte vodu alebo iné kvapaliny.
4. Výrobok uchovávajte mimo dosahu tepla.
5. Ak sa výrobok počas používania pokazí, odovzdajte ho na opravu autorizovaným odborníkom a nepokúšajte sa ho opraviť sami.

Zoskupenie automatického otvárania záclon Yeelight a rozbočovač a diaľkové ovládanie

(Urobte to, keď bliká modrý indikátor na motore)

1. Stlačte a podržte tlačidlo automatického otvárania závesov, ktoré sa má zoskupiť, na 5 s, kým nezačne blikáť modrý indikátor.
2. Stlačte a podržte úplne otvorené tlačidlo a tlačidlo pozastavenia na diaľkovom ovládači Hub & Remote na 10 s, kým nezačne blikáť modrý indikátor na diaľkovom ovládači Hub & Remote.
3. Po zoskupení automatického otvárania záclon a diaľkového ovládania brány bude automatické otváranie záclon poháňať záclonu, aby sa na krátku vzdialenosť posunula doľava a doprava, a zároveň prestanú blikáť modré indikátory automatického otvárania záclon.
4. Ak modrý indikátor na rozbočovači a diaľkovom ovládači prestane blikáť, ale modrý indikátor na automatickom otváračí záclon stále bliká, opakujte vyššie uvedené kroky, kým modré indikátory automatického otvárača záclon aj rozbočovača a diaľkového ovládača neprestanú blikáť, čo znamená, že zoskupenie je úspešné.

Pokyny k tlačidlám

	Ovládanie tlačidiel	Pokyny
Automatické otváranie záclon	Stlačte a podržte tlačidlo po dobu 5 sekúnd	Vstup do režimu automatického otvárania závesov a skupiny Hub & Remote
	Kliknite alebo stlačte a podržte tlačidlo na menej ako 5 sekúnd.	Automatické otváranie záclon sa zastaví

	Ovládanie tlačidiel	Pokyny
Rozbočovač a diaľkové ovládanie	Vlastné tlačidlo	Presuňte záves do nastavenej polohy, v aplikácii APP môžete nastaviť ľubovoľnú polohu
	Úplne otvorené tlačidlo	Úplne roztvorte závesy
	Úplne zatvorené tlačidlo	Úplne zatahnite závesy
	Tlačidlo pozastavenia	Automatické otváranie záclon sa zastaví
	Stlačte a podržte súčasne tlačidlo pauzy + tlačidlo úplného otvorenia na 10 s.	Vstup do režimu automatického otvárania závesov a skupiny Hub & Remote
	Stlačte a podržte súčasne tlačidlo Vlastné + úplne zatvorené na 3 s	Rozbočovač a diaľkové ovládanie vstupuje do distribučnej siete a pridáva sa do režimu účtu
	Rýchlo kliknite na úplne zatvorené tlačidlo 5-krát za sebou	Automatické otváranie závesov a rozbočovač a diaľkové ovládanie prejdú do režimu automatickej kalibrácie

Pokyny k indikátorom

Automatické otváranie záclon	Ovládanie tlačidiel	Pokyny
	Biely indikátor svieti 1s	Zapnutie automatického otvárania závesov
	Biely indikátor blikne raz	Kliknite na tlačidlo
	Modrý indikátor rýchlo bliká	Režim skupiny s rozbočovačom a diaľkovým ovládaním
	Modrý indikátor pomaly bliká	Automatické otváranie závesov prejde do režimu automatickej kalibrácie

Rozbočovač a diaľkové ovládanie	Ovládanie tlačidiel	Pokyny
	Biely indikátor svieti 1s	Zapnutie rozbočovača a diaľkového ovládača
	Biely indikátor pomaly bliká	Zisťovanie siete
	Biely indikátor rýchlo bliká	Rozbočovač a diaľkové ovládanie prejde do režimu vytvárania siete a pridávania do konta
	Modrý indikátor rýchlo bliká	Skupinový režim s automatickým otváraním závesov
	Modrý indikátor pomaly bliká	Rozbočovač a diaľkové ovládanie prejde do režimu automatickej kalibrácie
	Modrý indikátor raz blikne	Automatické otváranie závesov nenastavilo trasu

Pokyny na nabíjanie

Zasuňte zástrčku nabíjacieho kábla USP typu C do nabíjacieho portu na automatickom otvárači záclon Yeelight alebo samostatne vyberte batériu za automatickým otváračom záclon Yeelight a druhý koniec vložte do adaptéra na nabíjanie.

Automatické otváranie záclon	Ovládanie tlačidiel	Pokyny
	Biely indikátor bliká	Nabíjanie
	Biely indikátor svieti	Nabíjanie je ukončené a adaptér nie je vybratý

Obnovenie továrenských nastavení

Stlačte a podržte súčasne vlastné a úplne zatvorené tlačidlá na rozbočovači a diaľkovom ovládači na 3 sekundy, kým nezačne blikat biely indikátor rozbočovača a diaľkového ovládača, čo znamená, že rozbočovač a diaľkový ovládač bol resetovaný na výrobné nastavenia.

Varovanie:

Po obnovení továrenských nastavení sa môžu stratit všetky nastavenia a bude potrebné znovu pridať zariadenie do účtu a znovu kalibrovať trasu.

Špecifikácia

Automatické otváranie záclon

Model	YLCDJ-0009
Rozmer	79 x 166 x 72 mm
Menovitý krútiaci moment	0,2N m
Pracovný čas	S2 4min
Menovité napätie	5V ---
Menovitý výkon	6W
Rýchlosť pohybu	7 cm/s

Testovacie podmienky: (Výsledky testu pochádzajú z kontrolného experimentu laboratória Yeelight, životnosť batérie sa môže líšiť v dôsledku rôznych podmienok).

Rozbočovač a diaľkové ovládanie

Model	YLCDJ-0011
Rozmer	65 x 65 x 18 mm
Menovité napätie	5V ---
Menovitý prúd	1A

Poznámky:

1. Len na použitie v interiéri.
2. Kvôli bezpečnosti sa odporúča používať v nadmorskej výške menšej ako 2000 metrov.
3. " --- " Symbol označuje jednosmerný prúd (DC).

Kompatibilné s: Android id 4.4 alebo iOS 10.0 a novšie.

Bezdrôtové pripojenie: Wi-Fi IEEE 802.11b/g/n 2,4 GHz. Bluetooth 4.2BLE, Zigbee

Pracovná frekvencia: 2412-2472MHz (Wi-Fi), 2402-2480MHz (BT), 2405-2480MHz (Zigbee)

Maximálny výstupný výkon: 16,24 dBm (Wi-Fi), 2dBm (BT), 6,06dBm (Zigbee).

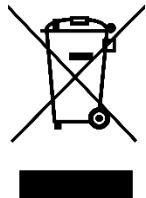
EÚ prehlásenie o zhode

Spoločnosť Qingdao Yeelink Information Technology Co. týmto vyhlasuje, že zariadenia typu Y00409 sú v súlade so smernicami EÚ. Úplné znenie EÚ vyhlásenia o zhode je k dispozícii na tejto webovej adrese: <https://edshop.edsystem.cz/prohlaseni-o-shode/article-28393>.



WEEE

Tento výrobok sa nesmie likvidovať ako bežný domový odpad v súlade so smernicou EÚ o odpade z elektrických a elektronických zariadení (OEEZ - 2012/19/EÚ). Namiesto toho sa musí vrátiť na miesto nákupu alebo odovzdať na verejnom zbernom mieste recyklovateľného odpadu. Zabezpečením správnej likvidácie tohto výrobku pomôžete predíť možným negatívnym dôsledkom pre životné prostredie a ľudské zdravie, ktoré by inak mohlo spôsobiť nevhodné nakladanie s odpadom z tohto výrobku. Ďalšie informácie získate na miestnom úrade alebo na najbližšom zbernom mieste. Nesprávna likvidácia tohto druhu odpadu môže mať za následok pokuty v súlade s vnútroštátnymi predpismi.

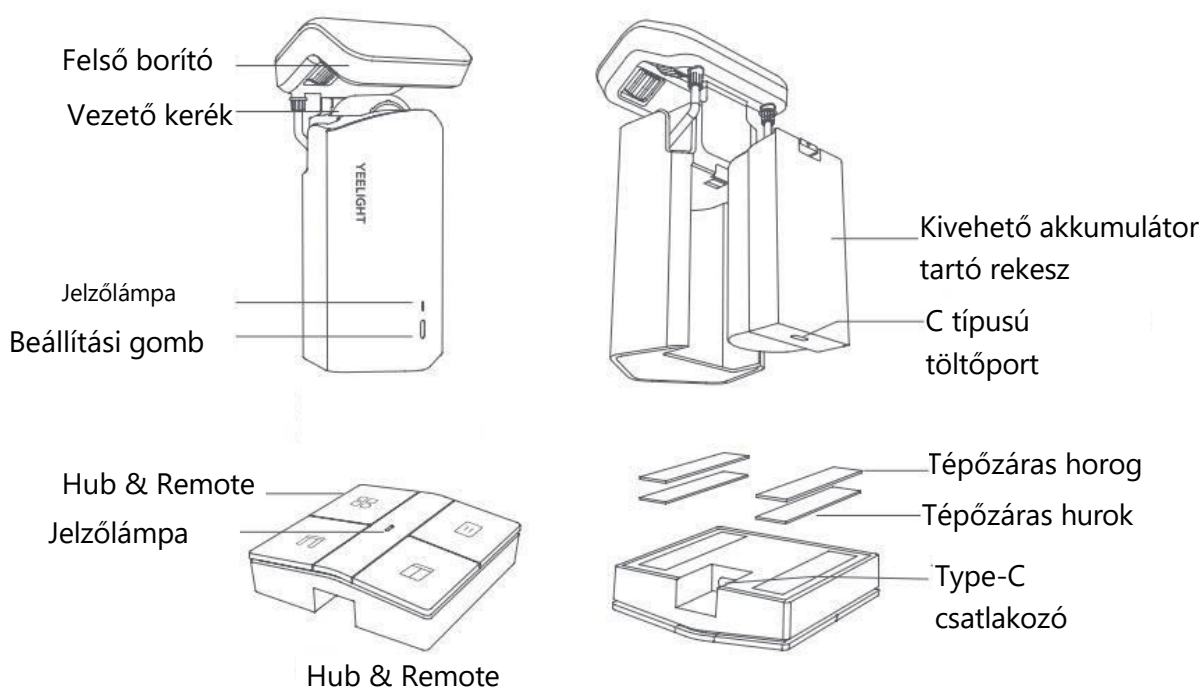


Figyelmeztetés

1. Fontos biztonsági utasítások. A személyek biztonsága érdekében fontos, hogy kövesse ezeket az utasításokat. Őrizze meg ezeket az utasításokat.
2. A gyermekeket felügyelni kell, hogy ne játszanak a készülékkel.
3. Ne engedje, hogy a gyermekek a rögzített vezérlőkkel játszzanak. A távirányítókat tartsa távol a gyermekektől.
4. Gyakran vizsgálja meg a szerelést egyensúlyhiány, valamint a kábelek rugóinak és rögzítőelemeinek kopásának vagy sérülésének jelei miatt. Ne használja, ha javításra vagy beállításra van szükség.
5. Figyelmeztetés: A hajtást tisztítás, karbantartás és alkatrészcsere során le kell választani az áramforrásról.
6. Figyelmeztetés: Fontos biztonsági utasítások. Kövesse az összes utasítást, mivel a helytelen telepítés súlyos sérülésekhez vezethet.
7. A meghajtó telepítése előtt távolítson el minden felesleges kábelt, és kapcsoljon ki minden olyan berendezést, amelyre nincs szükség a hálózati működéshez.
8. A kézi kioldó működtető elemét 1,8 m-nél kisebb magasságban kell felszerelni.
9. A meghajtott alkatrész jellemzőinek összeegyeztethetőnek kell lenniük a névleges nyomatékkel és a névleges üzemiidővel.
10. A rögzített kezelőszerveknek a beszerelés után jól láthatónak kell lenniük.
11. Ezt a készüléket nem szabad olyan személyek (beleértve a csökkent fizikai, érzékszervi vagy szellemi képességekkel rendelkező, vagy tapasztalat és ismeretek hiányában lévő gyermekeket is) használni, akiket a biztonságukért felelős személy nem felügyel vagy nem oktat a készülék használatára vonatkozóan. (Az EU-n kívüli és UKCA piacon).
12. Ezt a készüléket 8 éves és idősebb gyermekek, valamint csökkent fizikai, érzékszervi vagy szellemi képességekkel rendelkező, illetve tapasztalat és ismeretek hiányában nem rendelkező személyek is használhatják, ha felügyeletet kaptak, vagy a készülék biztonságos használatára vonatkozó utasításokat kaptak, és megértették a készülékkel járó veszélyeket. (Az EU és az UKCA piacán)
13. A tisztítást és a felhasználói karbantartást gyermekek felügyelet nélkül nem végezhetik.
14. A termék újratölthető lítium akkumulátort tartalmaz, amely kidobásakor káros a környezetre. Kérjük, vegye ki az akkumulátort a készülékből, mielőtt kidobja. Nyomja végig az akkumulátorcsomag elválasztó vonalát, és vegye ki az akkumulátort. Az eltávolított akkumulátorokat szakszerű újrahasznosító szervezetnek kell ártalmatlanítani.
15. Normál használat esetén ezt a berendezést legalább 20 cm távolságban kell tartani az antenna és a felhasználó teste között.
16. A meghajtott alkatrész tömegének és méretének meg kell felelnie a névleges nyomatékknak és a névleges üzemiidőnek.

Bevezetés

A Yeelight Automatic Certain Opener egy intelligens függönyvezérlő. A termék kis méretű és könnyen telepíthető. Megvalósíthatja a hagyományos függönyök intelligens vezérlését az eredeti függönypálya cseréje nélkül. A termék beépített lítium akkumulátorral rendelkezik, és egy Hub & Remote-ot tartalmaz, amely gyorsan hozzáférhet a hangplatformhoz a funkciók megvalósításához, például App távvezérlés, hangvezérlés a függönyök nyitására és zárására, valamint az intelligens platformhoz csatlakoztatott más intelligens eszközökkel való interakcióhoz. Ezenkívül a felhasználók gyorsan működtethetik a Hub & Remote négy gombját is (teljes bekapcsolás, teljes kikapcsolás, szünet és egyéni: egygombos indítás és egy kijelölt pozícióba való áthelyezés).

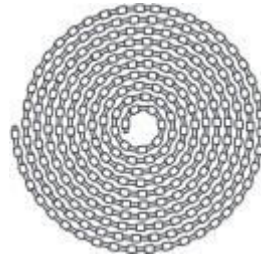


Tartozékok listája





Gyöngykapocs
Egyetlen panel: 8db
Dupla panel: 16db



Gyöngyök
Egyetlen panel: 2m
Dupla panel: 4m

Tipp: A termék frissítése és fejlesztése miatt a tényleges termék kissé eltérhet a kapcsolási rajztól, kérjük, tekintse meg a tényleges terméket.

Utasítások

Oktató videó

Kérjük, olvassa be a QR-kódot az oktatóvideó megtekintéséhez, vagy kövesse a telepítés és használat lépéseit.

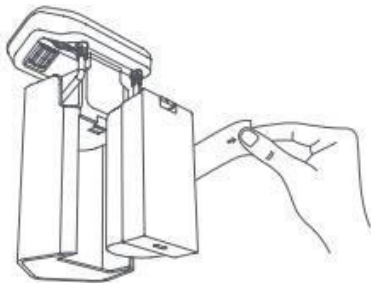
Tipp: A termék telepítési hatásának biztosítása érdekében, kérjük, telepítés előtt törölje le a függönysín felületét, hogy eltávolítsa a port a felületen.



Az oktatóvideó megtekintéséhez szkennelje be a kódot.

Útmutató az első használathoz

1. Támogatja az Android 4.4 és iOS 10.0 vagy magasabb verziójú okostelefonokat és táblagépeket.
2. Szkenelje be az alábbi QR-kódot, vagy keressen az APP áruházban vagy a Google-ban a "Mi Home" alkalmazás letöltéséhez.
3. Nyissa meg a Mi Home APP-ot és regisztráljon egy "Mi Home" fiókot, vagy jelentkezzen be közvetlenül, ha már rendelkezik fiókkal.
4. Csatlakoztassa telefonját az internethez. Kérjük, győződjön meg róla, hogy a Wi-Fi hálózat elérhető és normálisan hozzáfér az internethez (a termék nem támogatja az 5G hálózatot).
5. Vegye ki a hubot és a távirányítót, és csatlakoztassa a tápkábelt és az adaptert (az adaptert magának kell konfigurálnia, DC5V 1A USB porttal).
6. Távolítsa el a Yeelight automatikus függönynyitó elemtartóját, távolítsa el az elemleválasztót, helyezze be újra az elemtartót, és töltsse fel a Yeelight automatikus függönynyitót először több mint 3 órán keresztül, amíg a fehér kijelző nem villog (a teljes feltöltéshez körülbelül 6 óra szükséges).
7. Nyissa meg a "Mi Home" APP-ot, kattintson a "+" gombra a kezdőlap jobb felső sarkában, és adjon hozzá eszközöket az APP utasításainak megfelelően; Megjegyzés: Kérjük, állítsa be az útvonalat a termék telepítése után a pályán pontosan, lásd a következő oldalon a telepítési utasításokat.
Tipp: A "Mi Home" APP frissítése és frissítése miatt a tényleges működés kissé eltérhet a fenti leírástól, kérjük, működjön az aktuális "Mi Home" APP szerint.
8. Több harmadik féltől származó szolgáltatást is összekapcsolhat a Mi Home fiókjával.



Alexa, húzd be a függönyt

OK Google, húzd be a hálósobám

Telepítés

A Yeelight automatikus függönynyitó (O-alakú pálya) csak O-alakú függőnpályát támogat. A függőnpálya keresztmetszete és a megfelelő méret az alábbi ábrán látható.

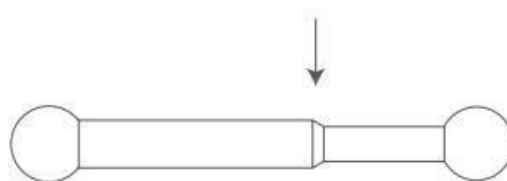
Értesítés:

- Ha I-alakú és C-alakú pályákra kell telepítenie, kérjük, vásárolja meg a Yeelight automatikus függönynyitó megfelelő verzióját, és csak referencia. A termék frissítése és fejlesztése miatt a tényleges termék kissé eltérhet a kapcsolási rajztól, kérjük, tekintse meg a tényleges terméket.

A rúd átmérőjének 16-40 mm között kell lennie, vagy a kerületnek 51-125 mm között kell lennie, amelyek a kettő közül az egyiknek megfelel.

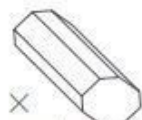
A rúd mindkét oldalán szorosan illeszkedő tömitésekre van szükség.

Alkalmos teleszkópos római rúdhoz (O-sín)



Átmérő: 16-40mm

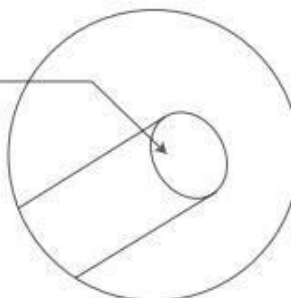
Kerület: 51-125mm



szilva alakú

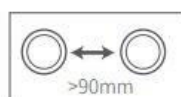
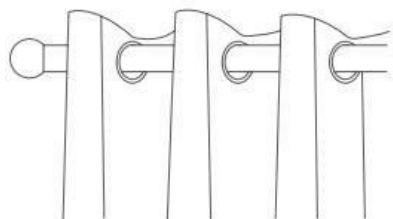


négyzet

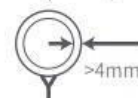
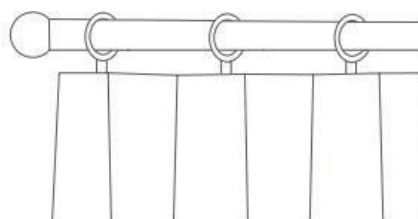


Nem alkalmas nem kör alakú római rudakhoz (O-sín).

Alkalmos grommet függönyökhöz. Ha grommet függönyökhöz használják, kérjük, győződjön meg arról, hogy a szomszédos grommetek közötti legrövidebb távolság több mint 90 mm.



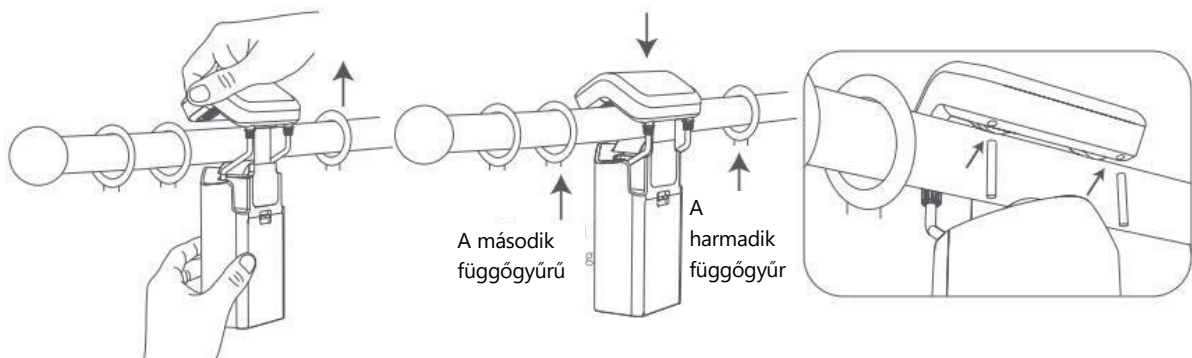
Alkalmos gyűrűs függönyökhöz. Ha gyűrűs függönyökhöz használják, kérjük, győződjön meg arról, hogy a függőgyűrű vastagsága több mint 4 mm.



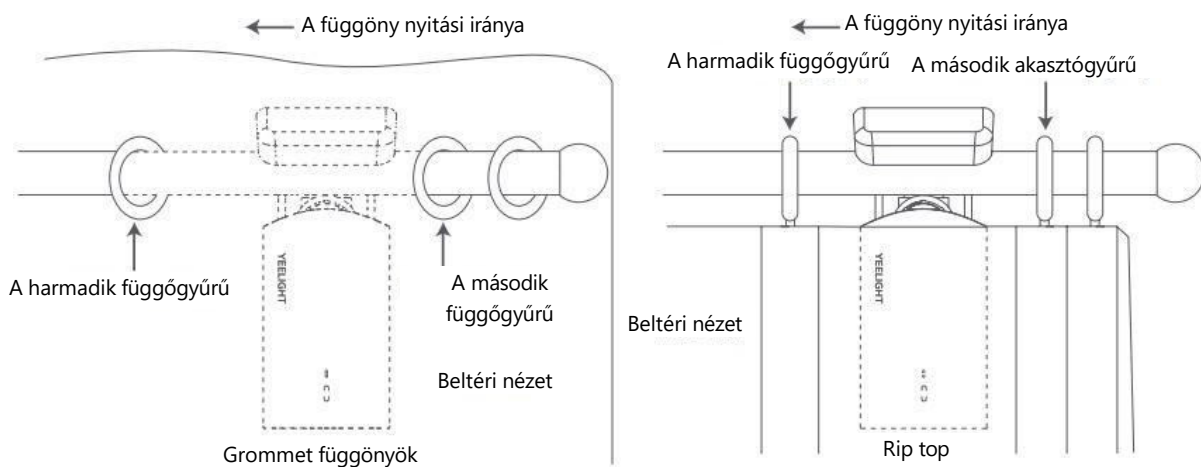
Telepítse az automata függönynyitót a sínre

Húzza felfelé a függőnymotor felső fedelét a maximális helyzetbe, szerelje be a függőnymotort a római rúd (O-sín) függőny nyitási irányába, és a második és harmadik tömítés közepén hagyja, hogy a függőnymotor felső fedele és a meghajtó kerék a sínre szoruljon.

Annak érdekében, hogy megakadályozza a függőnymotor leesését a függőny pálya mintázata vagy deformációja miatti rendellenes mozgás során, ajánlott egy leesésgátló konzol felszerelése.



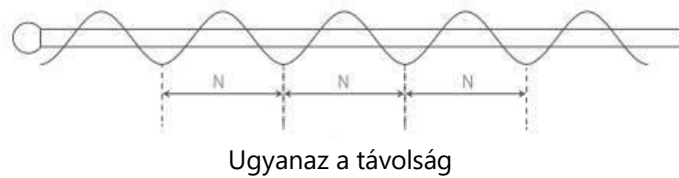
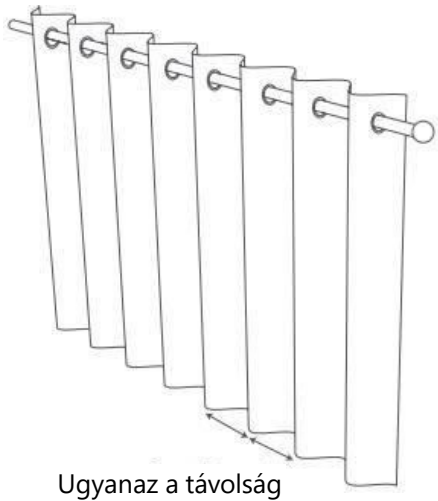
Állítsa vissza, és a telepítés befejeződött.



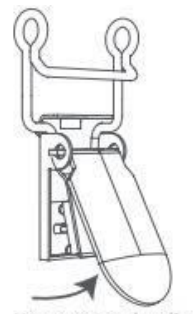
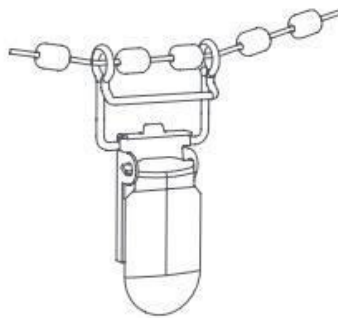
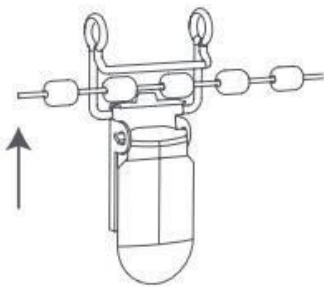
Tartozékok a grommet függönyökhöz (nem szükséges a gyűrűs függönyökhöz)

Mivel a grommet függöny roma gyűrűjének belső átmérője hasonló a római rúd (O alakú pálya) külső átmérőjéhez, és a szerkezetéből adódóan nehéz húzni (a függönyt egyszerre teljesen kinyitni), a függöny egyenletes elosztásához szükséges a kiegészítők hozzáadása, ami csökkentheti a húzási erőt és fenntarthatja a függöny szépségét.

1. Kérjük, húzza be teljesen a függönyt, és győződjön meg róla, hogy az egyes hullámok közötti távolságok nagyjából azonosak.



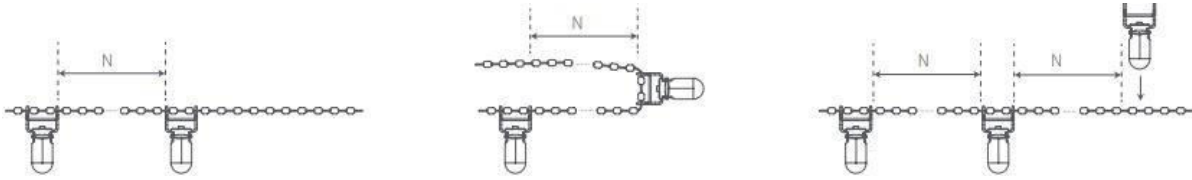
2. Vegye ki a tartozékokat, szerelje fel a gyöngyöket a gyöngykapocsra az alábbi ábrán látható módon (győződjön meg róla, hogy két gyöngy van a klip végén).



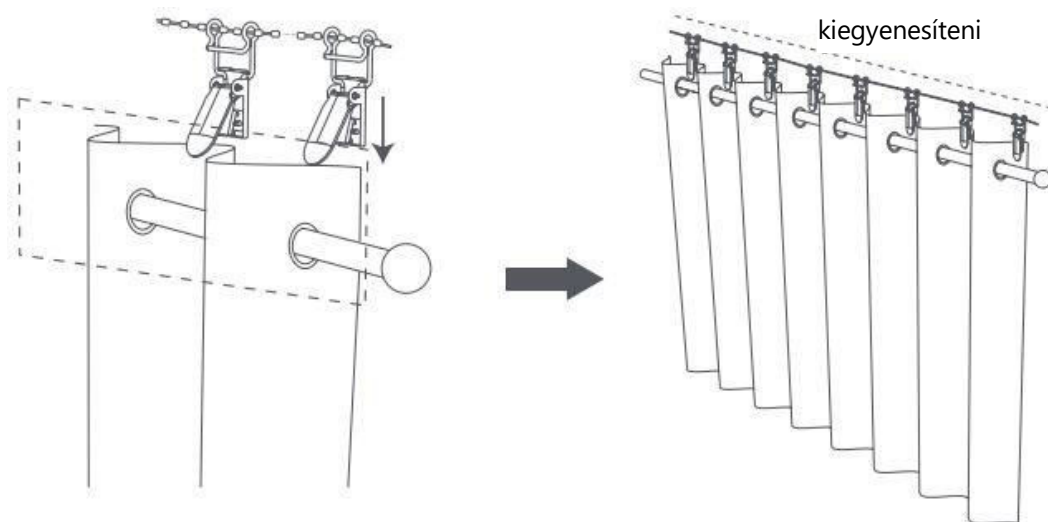
Klipsz megnyitása

3. Mérje meg az N távolságot két szomszédos hajtásvonal között.

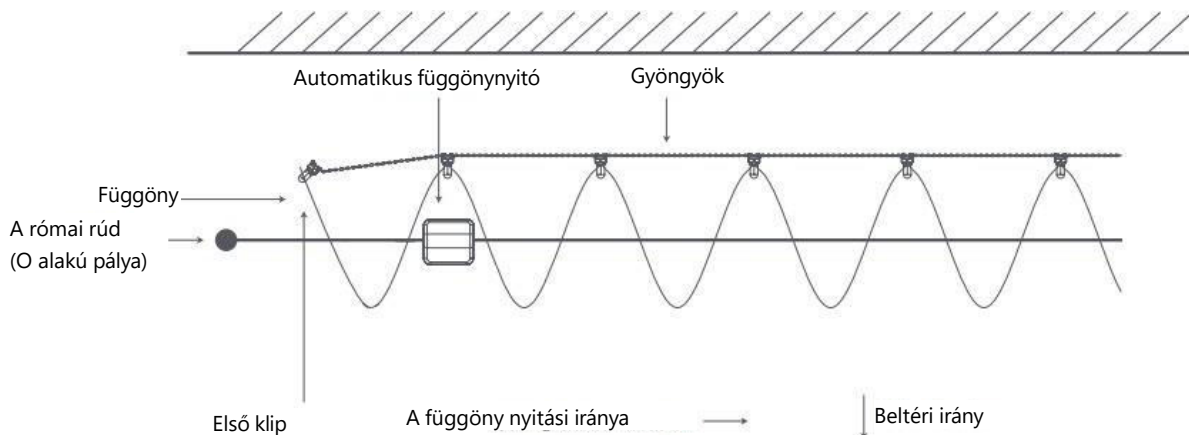
- Egyenesítsük ki a gyöngyöket, szereljük fel a gyöngyöket a második gyöngykapocsra a mért távolságnak megfelelően, és győződjünk meg arról, hogy az első és a második kapocs közötti távolság N . Az első és a második kapocs közötti távolság alapján keressük meg a többi gyöngykapocs helyét, biztosítva, hogy az egyes kapocs közötti távolság azonos és N legyen.



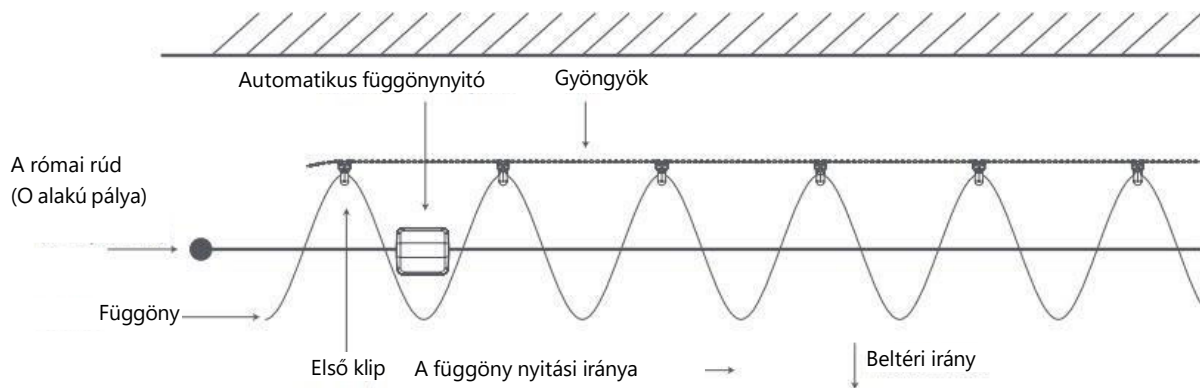
- Csatlakoztassa a klipszeket a kifelé néző függöny hajtásvonalához. A felszerelés során a klipszet a függöny felső részén kell elhelyezni, és csak az első néhány függönynyúlványnál kell rögzíteni a teljesen zárt irányból a teljesen nyitott irányba.
- Amikor az összes klipszet a függönyre szereli, kérjük, próbálja meg kinyitni és bezárni, és győződjön meg róla, hogy a gyöngyszalag csukott állapotban kiegyenesedik. A maradék csíkot levághatja, vagy elrejtheti a függöny mögé.



1. eset: A függöny nyitási irányának első nyílása kifelé néz.



2. eset: A függöny nyitási irányának első nyílása a beltér felé néz.



Hub & Remote utasítások

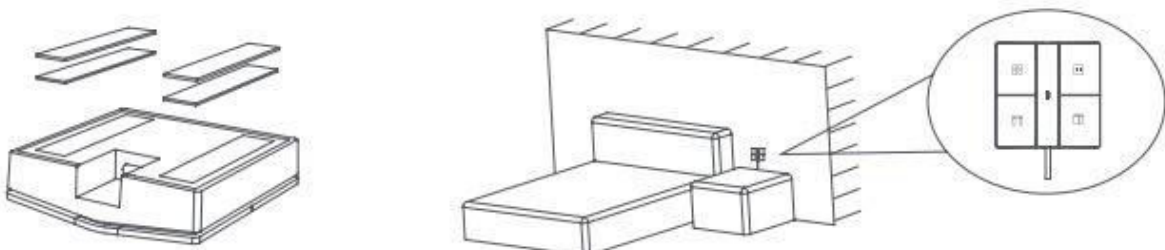
Annak érdekében, hogy a függőnymotor normálisan használható legyen, és csatlakoztatható legyen a harmadik féltől származó platformhoz, a hub távirányítót a függőnymotor használata előtt csatlakoztatni kell az adapterhez (amelyet Ön készített), és mindig be kell kapcsolni, és normálisan csatlakoztathatónak kell lennie a Wi-Fi-hez.

A Hub & Remote-ot tiszta, sima és stabil felületre, például az éjjeliszekrényre vagy a falra ragaszthatja.

1. Vegye ki a tépőzárás hurkot a tartozékcsomagból, és távolítsa el a hátoldalon lévő szigetelőpapírt.
2. Illessze a tépőzárás hurkot a Hub & Remote hátoldalán lévő horonyba, és 1 percig nyomja, hogy az öntapadó anyag megszilárduljon.
3. Erősítse meg, hogy hova akar ragasztani, és törölje át a felületet egy tiszta ruhával.
4. Ragassza a tépőzárás horgot a hurokhoz, majd távolítsa el a tépőzárás horgot mögötti szigetelőpapírt, ragassza be a teljes Hub & Remote-ot a kiválasztott helyre, és nyomja meg 1 percig, hogy az öntapadós ragasztó megszilárduljon.

Értesítés:

- Ne nyomja meg a Hub & Remote gombját az egész folyamat alatt.
- A hub csak a Yeelight automatikus függönynyitót támogatja.



Útmutató a Hub távirányító gombjaihoz

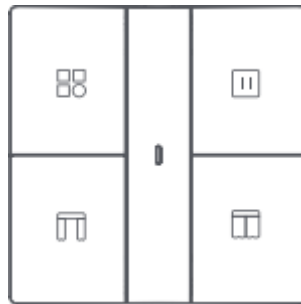
☒ Egyedi gomb: A függöny áthelyezése a beállított pozícióba, amely az alkalmazásban beállítható.

☐ Szünet gomb: A függöny mozgása megáll.

☐ Teljesen nyitott gomb: Teljesen kinyitja a függönyt.

☐ Teljesen zárt gomb: A függönyök teljes bezárása.

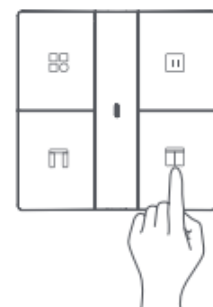
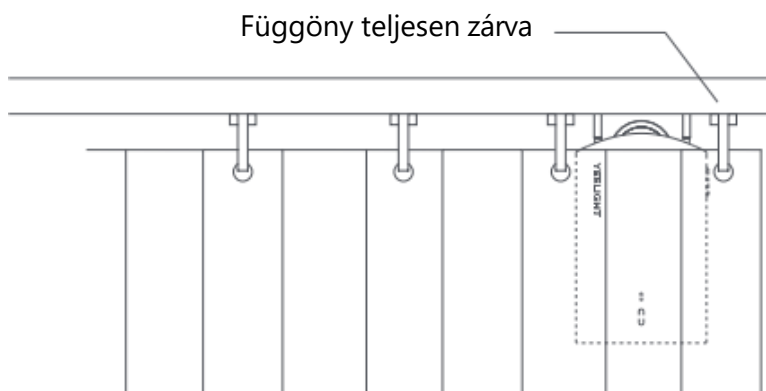
Megjegyzés: A távvezérlés csak azután lép hatályba, hogy a Yeelight automatikus függönyt nyitás befejezte a kalibrációs beállításokat. A kalibrálási folyamatot lásd az alkalmazásban található telepítési útmutatóban.



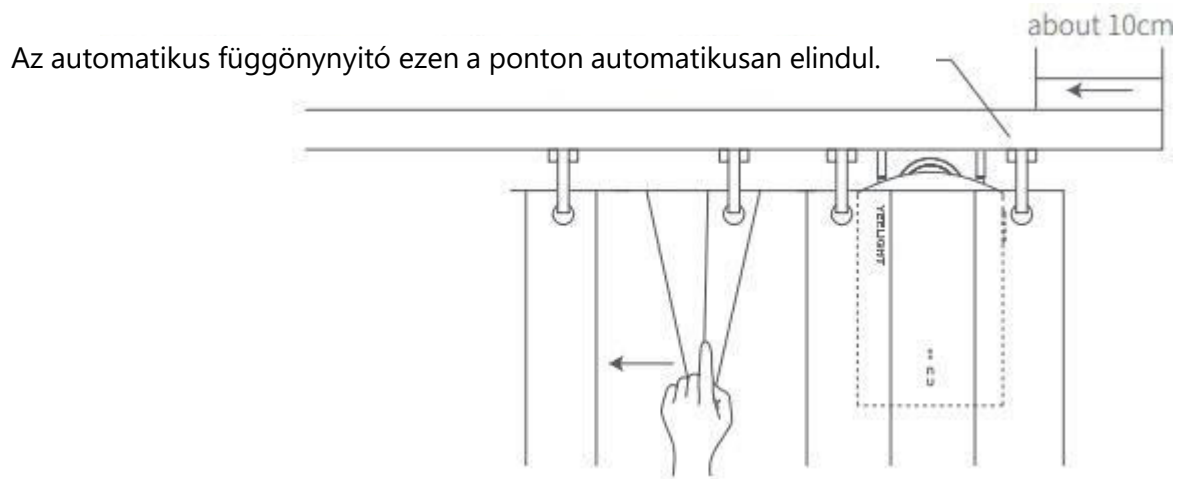
Automatikus kalibrációs beállítások

Egypaneles függöny automatikus kalibrálása

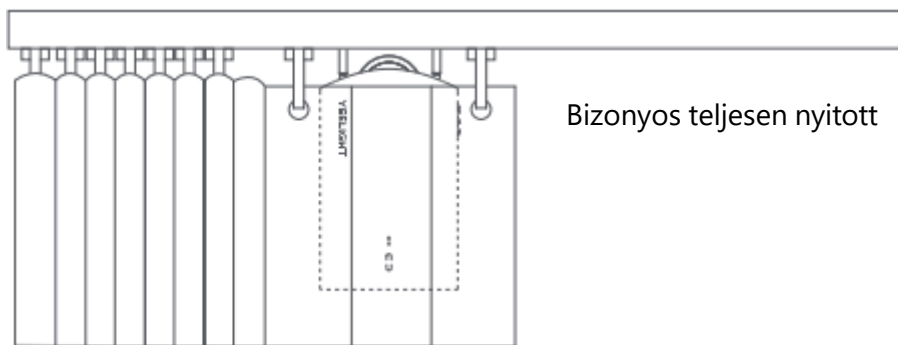
1. Állítsa az automata függönynyitót olyan helyzetbe, hogy a függöny teljesen zárva legyen.
2. Gyorsan kattintson a Hub & Remote teljesen zárt gombjára 5 alkalommal. Ekkor a Hub & Remote és az automata függönynyitó jelzőfényei lassan kék villogni kezdenek, jelezve, hogy mind az automata függönynyitó, mind a Hub & Remote automatikus kalibrációs üzemmódban van.
3. Óvatosan húzza a függönyt kb. 10 cm-re a teljesen nyitott irányba, és az automatikus függönynyitó automatikusan a teljesen nyitott irányba mozog. Miután a függöny megáll vagy a kijelölt pozícióba mozog, kattintson újra a teljesen zárt gombra.



Körülbelül 10cm



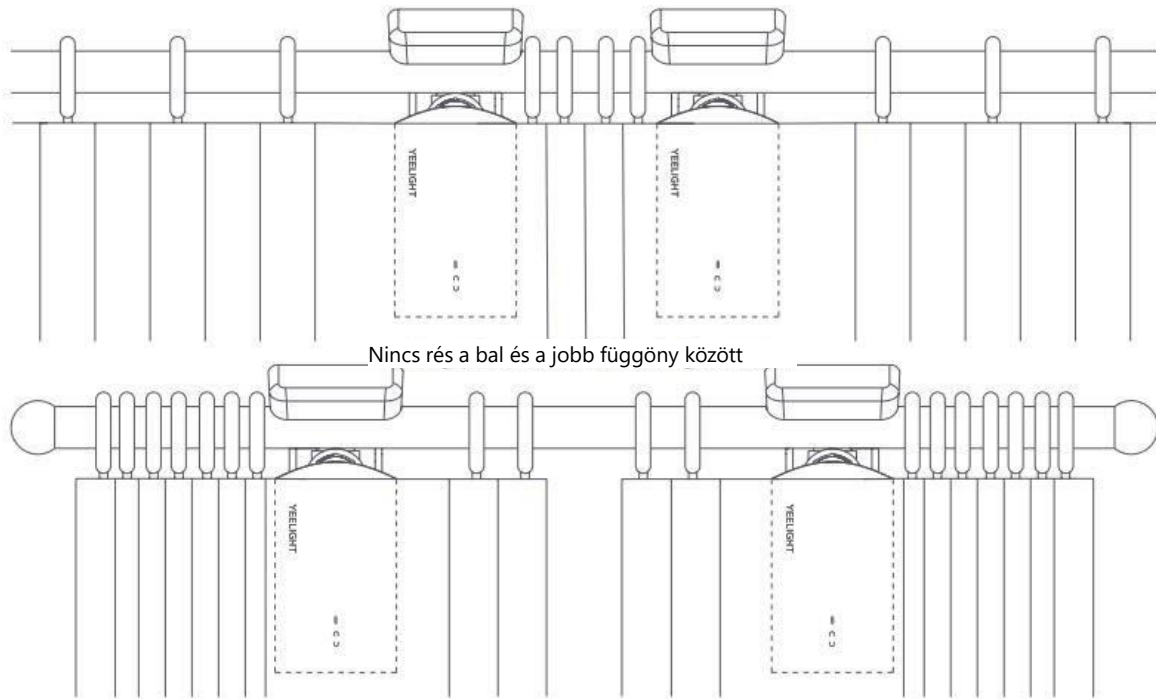
4. Az automatikus függönynyitó és a Hub & Remote kék kijelzői nem villognak tovább.
5. Fejezze be az automatikus kalibrálást.



Dupla paneles függönyök automatikus kalibrálása:

Lásd az egypaneles függöny útvonal-beállítási módszerét, és állítsa be a bal és jobb oldali Yeelight automatikus függönynyitó útvonalait.

Megjegyzés: Ha kézzel húzza a függönyöket, kérjük, húzza a bal és jobb oldali függönyöket felváltva kb. 10 cm-re a teljesen nyitott irányba, miután a függönymotorok a bal és jobb oldalon eléri a függőnpálya mindkét végét, vagy a kijelölt pozícióba mozognak, kattintson újra a távirányítón a teljesen zárt gombra.



Figyelmeztetés:

1. A termék nem játék, kérjük, tartsa távol tőle a gyermekeket.
2. Csak beltéri használatra, kérjük, ne használja kültéren.
3. A termék nem nedvességálló, kérjük, ne öntsön ki vizet vagy más folyadékot termék.
4. Kérjük, tartsa a terméket hőtől távol.
5. Ha a termék használat közben meghibásodik, kérjük, adja át javíttatásra hivatalos szakembereknek, és ne próbálja meg saját maga megjavítani.

Csoportosítsa a Yeelight Atomic függőnynyitót és a Hub & Remote-ot

(Kérjük, akkor tegye meg, amikor a motoron lévő kék jelzőfény villog)

1. Nyomja meg és tartsa lenyomva a csoportosítandó automata függőnynyitó gombját 5 másodpercig, amíg a kék kijelző villogni nem kezd.
2. Tartsa lenyomva a Hub & Remote teljesen nyitott gombját és a szünet gombot 10 másodpercig, amíg a kék kijelző a Hub & Remote-on villogni nem kezd.
3. Miután az automatikus függőnynyitó és a kaputávirányító távirányító össze van csoportosítva, az automatikus függőnynyitó rövid ideig balra és jobbra mozgatja a függőnyt, és ezzel egyidejűleg az automatikus függőnynyitó kék jelzőfényei megszűnnek villogni.
4. Ha a Hub & Remote kék kijelzője nem villog, de az automata függőnynyitó kék kijelzője még mindig villog, ismételje meg a fenti lépéseket, amíg az automata függőnynyitó és a Hub & Remote kék kijelzői nem villognak, ami azt jelenti, hogy a csoportosítás sikeres.

Gomb utasítások

	Gombok működése	Utasítás
Automatikus függőnynyitó	Nyomja meg és tartsa lenyomva a gombot 5 másodpercig	Belépés az automatikus függőnynyitó és a Hub & Remote csoportos üzemmódba
	Kattintson a gombra, vagy tartsa lenyomva a gombot kevesebb mint 5 másodpercig.	Az automatikus függőnynyitó megáll

	Gombok működése	Utasítás
Hub & Remote	Egyéni gomb	Mozgassa a függőnyt a beállított pozícióba, bármelyik pozíciót beállíthatja az APP-ban.
	Teljesen nyitott gomb	Teljesen nyissa ki a függönyöket
	Teljesen zárt gomb	Húzza be teljesen a függönyöket
	Szünet gomb	Az automatikus függőnynyitó megáll
	Nyomja meg és tartsa lenyomva a szünet + teljes nyitás gombot egyszerre 10 másodpercig.	Belépés az automatikus függőnynyitó és a Hub & Remote csoportos üzemmódba
	Nyomja meg és tartsa lenyomva az egyéni + teljesen zárt gombot egyszerre 3 másodpercig.	A Hub & Remote belép az elosztóhálózatba, hogy hozzáadjon a fiókmódhoz

	Gyorsan kattintson a teljesen zárt gombra 5 alkalommal egymás után.	Az automatikus függönynyitó és a Hub & Remote automatikus kalibrációs üzemmódba lép
--	---	---

Indikátor utasítások

	Gombok működése	Utasítás
Automatikus függönynyitó	A fehér jelző 1 másodpercig világít	Kapcsolja be az automatikus függönynyitót
	A fehér jelzés egyszer villog	Kattintson a gombra
	A kék jelző gyorsan villog	Csoportos üzemmód a Hub & Remote segítségével
	A kék jelző lassan villog	Az automatikus függönynyitó automatikus kalibrációs üzemmódba lép

	Gombok működése	Utasítás
Hub & Remote	A fehér jelző 1 másodpercig világít	A központ és a távirányító bekapcsolása
	A fehér kijelző lassan villog	Hálózat észlelése
	A fehér jelző gyorsan villog	A Hub & Remote belép a hálózatépítés és a fiókhoz való hozzáadás üzemmódba.
	A kék kijelző gyorsan villog	Csoportos üzemmód automatikus függönynyitással
	A kék kijelző lassan villog	A Hub & Remote automatikus kalibrációs üzemmódba lép
	A kék kijelző egyszer villog	Az automata függönynyitó nem állította be az útvonalat.

Töltési utasítások

Helyezze be az USB töltőkábel C típusú dugóját a Yeelight automatikus függönynyitó töltőportjába, vagy vegye ki külön a Yeelight automatikus függönynyitó mögül az akkumulátorcsomagot, és a töltéshez helyezze be a másik végét az adapterbe.

Automatikus függönynyitó	Gombok működése	Utasítás
	Fehér jelzés villog	Töltés
	A fehér jelzés folyamatosan világít	A töltés befejeződött, és az adaptert nem távolították el.

Gyári beállítások visszaállítása

Nyomja meg és tartsa lenyomva egyszerre 3 másodpercig a Hub & Remote egyéni és teljesen zárt gombját, amíg a Hub & Remote fehér kijelzője villogni nem kezd, ami azt jelenti, hogy a Hub & Remote visszaállt a gyári beállításokra.

Figyelmeztetés:

A gyári beállítások visszaállítása után az összes beállítás elveszhet, és újra hozzá kell adnia a készüléket a fiókhoz, és újra kell kalibrálnia az útvonalat.

Műszaki adatok

Automatikus függönynyitó

Modell	YLCDJ-0009
Dimenzió	79 x 166 x 72mm
Névleges nyomaték	0,2N m
Munkaidő	S2 4min
Névleges feszültség	5V ---
Névleges teljesítmény	6W
Mozgási sebesség	7cm/s

Vizsgálati feltételek: (A teszteredmények a Yeelight laboratórium ellenőrző kísérletéből származnak, az akkumulátor élettartama eltérő körülmények között változhat).

Hub & Remote

Modell	YLCDJ-0011
Dimenzió	65 x 65 x 18mm
Névleges feszültség	5V ---
Névleges áram	1A

Megjegyzések:

1. Csak beltéri használatra.
2. A biztonság érdekében 2000 méternél kisebb magasságban ajánlott használni.
3. "⎓" A szimbólum egyenáramot (DC) jelöl.

Kompatibilis a következőkkel: 4.4 vagy iOS 10.0 vagy magasabb.

Vezeték nélküli csatlakoztathatóság: IEEE 802.11b/g/n 2,4 GHz-es Wi-Fi. Bluetooth 4.2BLE, Zigbee

Működési frekvencia: 2412-2472MHz (Wi-Fi), 2402-2480MHz (BT), 2405-2480MHz (Zigbee)

Maximális kimeneti teljesítmény: 16,24 dBm (Wi-Fi), 2dBm (BT), 6,06dBm (Zigbee).

EU-megfelelőségi nyilatkozat

A Qingdao Yeelink Information Technology Co. ezennel kijelenti, hogy az Y00409 típusú berendezés megfelel az uniós irányelveknek. Az uniós megfelelőségi nyilatkozat teljes szövege a következő internetcímen érhető el: <https://edshop.edsystem.cz/prohlaseni-o-shode/article-28393>.



WEEE

Ez a termék nem ártalmatlanítható normál háztartási hulladékként az elektromos és elektronikus berendezések hulladékairól szóló uniós irányelvvel (WEEE - 2012/19 / EU) összhangban. Ehelyett vissza kell juttatni a vásárlás helyére, vagy át kell adni az újrahasznosítható hulladékok nyilvános gyűjtőhelyén. Azzal, hogy gondoskodik a termék megfelelő ártalmatlanításáról, segít megelőzni a környezetre és az emberi egészségre gyakorolt esetleges negatív következményeket, amelyeket egyébként a termék nem megfelelő hulladékkezelése okozhatna. További részletekért forduljon a helyi hatósághoz vagy a legközelebbi gyűjtőponthoz. Az ilyen típusú hulladék nem megfelelő ártalmatlanítása a nemzeti előírásoknak megfelelően pénzbírságot vonhat maga után.

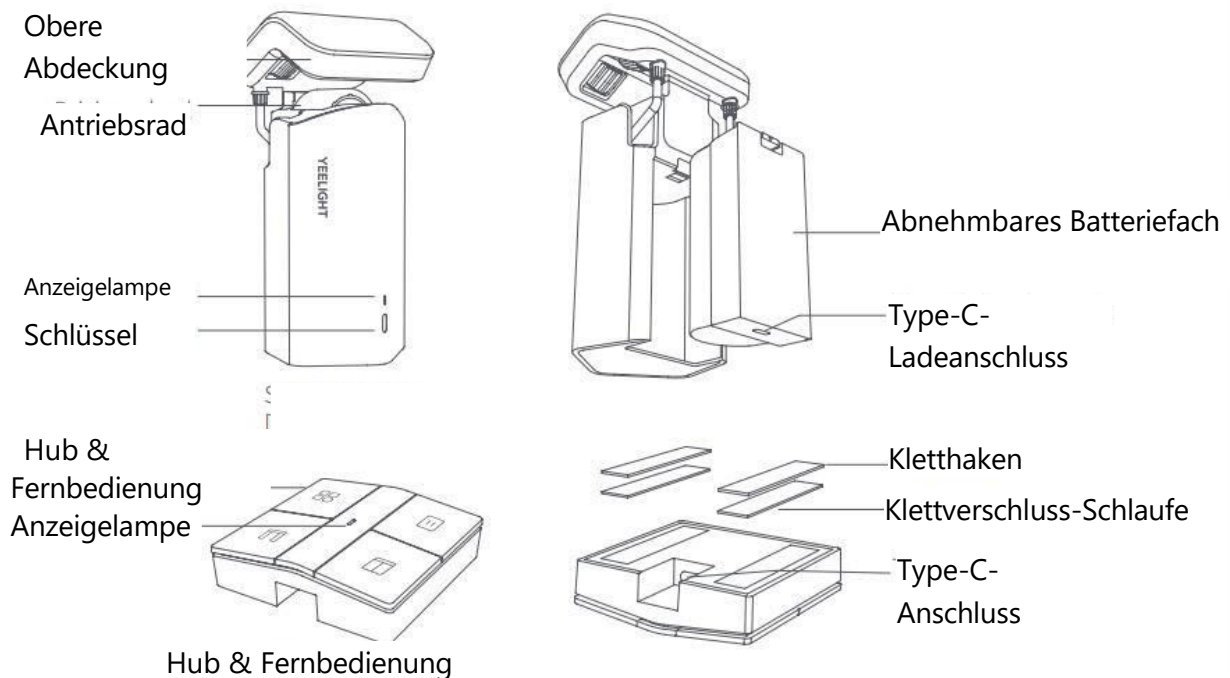


Warnung

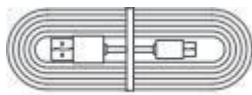
1. Wichtige Sicherheitshinweise. Es ist wichtig für die Sicherheit von Personen, diese Anweisungen zu befolgen. Bewahren Sie diese Anleitung auf.
2. Kinder sollten beaufsichtigt werden, um sicherzustellen, dass sie nicht mit dem Gerät spielen.
3. Erlauben Sie Kindern nicht, mit fest eingebauten Bedienelementen zu spielen. Halten Sie Fernbedienungen von Kindern fern.
4. Prüfen Sie die Anlage regelmäßig auf Unwucht und Anzeichen von Verschleiß oder Schäden an den Kabelfedern und Befestigungen. Nicht verwenden, wenn eine Reparatur oder Einstellung erforderlich ist.
5. Warnung: Der Antrieb muss während der Reinigung, der Wartung und des Austauschs von Teilen von seiner Stromquelle getrennt werden.
6. Warnung: Wichtige Sicherheitshinweise. Befolgen Sie alle Anweisungen, da eine falsche Installation zu schweren Verletzungen führen kann.
7. Entfernen Sie vor der Installation des Laufwerks alle unnötigen Kabel und schalten Sie alle Geräte aus, die für den Betrieb nicht benötigt werden.
8. Bringen Sie das Betätigungselement einer Handauslösung in einer Höhe von weniger als 1,8 m an.
9. Die Eigenschaften des angetriebenen Teils müssen mit dem Nenndrehmoment und der Nennbetriebsdauer vereinbar sein.
10. Fest eingebaute Bedienelemente müssen nach dem Einbau gut sichtbar sein.
11. Dieses Gerät ist nicht dafür bestimmt, durch Personen (einschließlich Kinder) mit eingeschränkten physischen, sensorischen oder geistigen Fähigkeiten oder mangels Erfahrung und Wissen benutzt zu werden, es sei denn, sie werden durch eine für ihre Sicherheit zuständige Person beaufsichtigt oder erhalten von ihr Anweisungen, wie das Gerät zu benutzen ist. (Für den Nicht-EU- und UKCA-Markt).
12. Dieses Gerät kann von Kindern ab 8 Jahren und Personen mit eingeschränkten körperlichen, sensorischen oder geistigen Fähigkeiten oder mangelnder Erfahrung und Kenntnis verwendet werden, wenn sie beaufsichtigt oder in die sichere Verwendung des Geräts eingewiesen wurden und die damit verbundenen Gefahren verstehen. (Für den EU- und UKCA-Markt)
13. Die Reinigung und Wartung durch den Benutzer darf nicht von Kindern ohne Aufsicht durchgeführt werden.
14. Das Produkt enthält eine wiederaufladbare Lithium-Batterie, die bei der Entsorgung umweltschädlich ist. Bitte nehmen Sie die Batterie aus dem Akkupack heraus, bevor Sie sie entsorgen. Hebeln Sie entlang der Trennlinie des Akkupacks und entfernen Sie den Akku. Entnommene Batterien sollten von einer professionellen Recycling-Organisation entsorgt werden.
15. Bei normalem Gebrauch des Geräts sollte ein Abstand von mindestens 20 cm zwischen der Antenne und dem Körper des Benutzers eingehalten werden.
16. Die Masse und die Abmessungen des angetriebenen Teils müssen mit dem Nenndrehmoment und der Nennbetriebsdauer vereinbar sein.

Einführung

Yeelight Automatic Certain Opener ist eine intelligente Gardinensteuerung. Das Produkt hat eine geringe Größe und ist einfach zu installieren. Es kann die intelligente Steuerung herkömmlicher Vorhänge realisieren, ohne die ursprüngliche Vorhangschiene zu ersetzen. Das Produkt verfügt über eine eingebaute Lithiumbatterie und wird mit einem Hub und einer Fernbedienung geliefert, die schnell auf die Sprachplattform zugreifen können, um Funktionen wie die App-Fernbedienung, die Sprachsteuerung zum Öffnen und Schließen von Vorhängen und die Interaktion mit anderen intelligenten Geräten, die mit der intelligenten Plattform verbunden sind, zu realisieren. Darüber hinaus können die Benutzer auch die vier Tasten auf der Hub & Remote schnell bedienen (voll ein, voll aus, Pause und benutzerdefiniert: Start mit einer Taste und Bewegung zu einer bestimmten Position).



Zubehör-Liste



USB zu Typ-C Stromkabel x
1



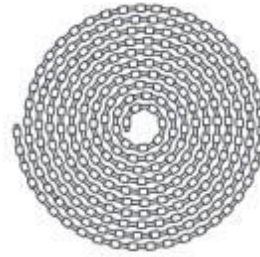
Klettthaken x 2
Klettverschlusschleife x 2



Absturzsicherungsbügel
Einzelne Platte: 2
Doppeltes Paneel: 4



Perlenklammer
Einzelne Platte: 8
Doppeltes Paneel: 16



Perlen
Einzelne Platte: 2m
Doppeltes Paneel: 4m

Hinweis: Aufgrund der Aktualisierung und des Upgrades des Produkts kann sich das tatsächliche Produkt geringfügig von der schematischen Darstellung unterscheiden, bitte beziehen Sie sich auf das tatsächliche Produkt.

Anweisungen

Anleitungs-Video

Bitte scannen Sie den QR-Code, um das Anleitungsvideo zu sehen, oder folgen Sie den Schritten zur Installation und Verwendung der Software.

Tipp: Um den Montageeffekt des Produkts zu gewährleisten, sollten Sie die Oberfläche der Vorhangschiene vor der Montage abwischen, um den Staub auf der Oberfläche zu entfernen.

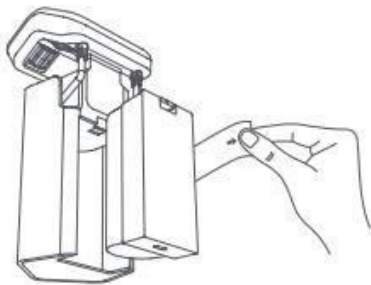


Scannen Sie den Code, um das Anleitungsvideo anzusehen.

Leitfaden für die erstmalige Verwendung

1. Unterstützt Smartphones und Tablets mit Android 4.4 und iOS 10.0 und höher.
2. Scannen Sie den unten stehenden QR-Code oder suchen Sie im APP-Store oder bei Google, um die "Mi Home"-App herunterzuladen.
3. Öffnen Sie die Mi Home APP und registrieren Sie ein "Mi Home"-Konto oder melden Sie sich direkt an, wenn Sie ein Konto haben.
4. Verbinden Sie Ihr Telefon mit dem Internet. Stellen Sie sicher, dass das Wi-Fi-Netzwerk verfügbar ist und normal auf das Internet zugreifen kann (das Produkt unterstützt kein 5G-Netzwerk).
5. Nehmen Sie den Hub und die Fernbedienung heraus und schließen Sie das Netzkabel und den Adapter an (der Adapter muss von Ihnen selbst konfiguriert werden, DC5V 1A mit USB-Anschluss).

6. Nehmen Sie das Batteriefach des automatischen Vorhangöffners heraus, entfernen Sie den Batterietrenner, setzen Sie das Batteriefach wieder ein und laden Sie den automatischen Vorhangöffner zum ersten Mal für mehr als 3 Stunden auf, bis die weiße Anzeige aufhört zu blinken (es dauert etwa 6 Stunden, bis er vollständig aufgeladen ist)
7. Öffnen Sie die "Mi Home"-APP, klicken Sie auf "+" in der oberen rechten Ecke der Startseite und fügen Sie Geräte entsprechend den Anweisungen der APP hinzu; Hinweis: Bitte legen Sie die Route nach der Installation des Produkts auf der Strecke genau fest, siehe die nächste Seite für die Installationsanleitung.
Hinweis: Aufgrund des Upgrades und der Aktualisierung der "Mi Home"-APP kann die tatsächliche Bedienung etwas von der obigen Beschreibung abweichen, bitte bedienen Sie sich der aktuellen "Mi Home"-APP.
8. Sie können mehrere Drittanbieterdienste mit Ihrem Mi Home-Konto verknüpfen.



Alexa, schließe den Vorhang

OK Google, schließe meinen Schlafzimmervorhang

Einrichtung

Yeelight Automatische Vorhangöffner (O-förmige Schiene) unterstützen nur O-förmige Vorhangschiene. Der Querschnitt der Vorhangschiene und die passende Größe sind in der Abbildung unten dargestellt.

Hinweis:

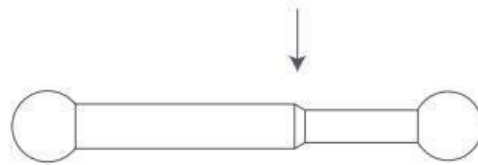
- Wenn Sie es auf I-förmigen und C-förmigen Schienen installieren müssen, kaufen Sie bitte die entsprechende Version von Yeelight Automatic Curtain Opener und sind nur Referenz. Aufgrund der Aktualisierung und des Upgrades des Produkts kann das tatsächliche Produkt leicht von der schematischen Darstellung abweichen, bitte beziehen Sie sich auf das tatsächliche Produkt.

Der Durchmesser der Stange sollte zwischen 16 und 40 mm oder der Umfang zwischen 51 und 125 mm liegen, je nachdem, was von beidem zutrifft.

Auf beiden Seiten der Stange müssen dicht schließende Abdeckungen vorhanden sein.

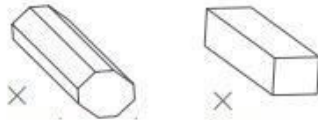


Geeignet für römische Teleskopstange (O-Schiene)



Durchmesser: 16-40mm

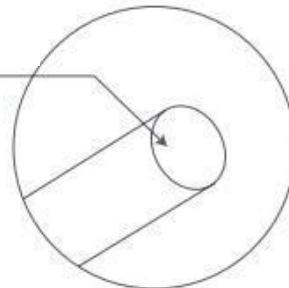
Umfang: 51-125 mm



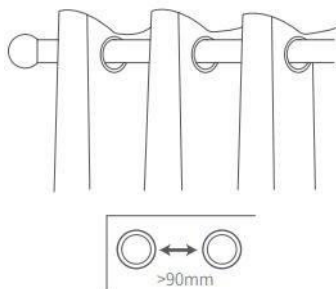
Pflaumenform

Platte

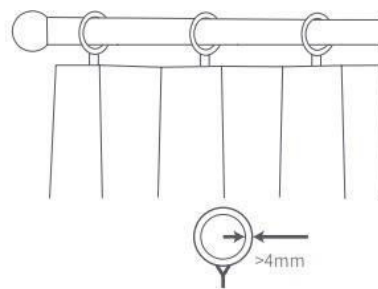
Nicht geeignet für Römische Ruten (O-Schiene) mit nicht kreisförmigem Querschnitt.



Geeignet für Vorhänge mit Ösen. Wenn es für Tüllenvorhänge verwendet wird, stellen Sie bitte sicher, dass der kürzeste Abstand zwischen den benachbarten Tüllen mehr als 90 mm beträgt.



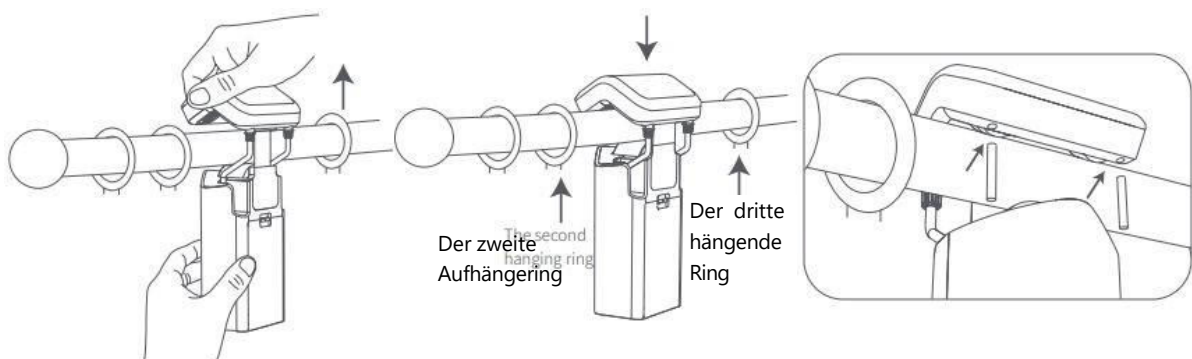
Geeignet für Ringvorhänge. Wenn er für Ringvorhänge verwendet wird, stellen Sie bitte sicher, dass die Dicke des Aufhängerings mehr als 4 mm beträgt.



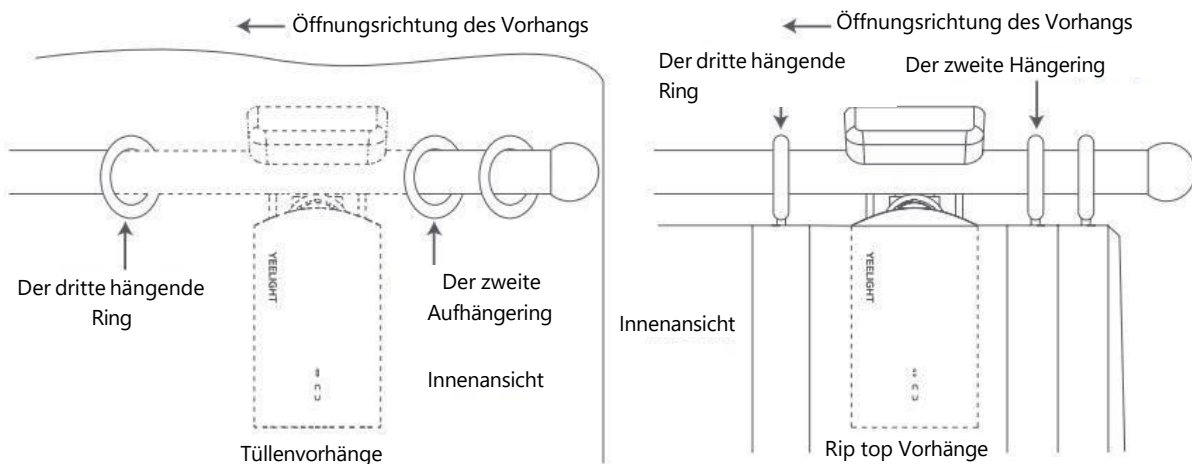
Montieren Sie den automatischen Vorhangöffner an der Schiene

Ziehen Sie die obere Abdeckung des Vorhangmotors bis zur maximalen Position nach oben, installieren Sie den Vorhangmotor in der Öffnungsrichtung des Römischen Stangenvorhangs (O-Schiene) und lassen Sie die obere Abdeckung des Vorhangmotors und das Antriebsrad in der Mitte der zweiten und dritten Tülle auf der Schiene festklemmen.

Um zu verhindern, dass der Vorhangmotor bei einer abnormalen Bewegung aufgrund des Musters oder der Verformung der Vorhangschiene herunterfällt, wird empfohlen, eine Absturzsicherung zu installieren.



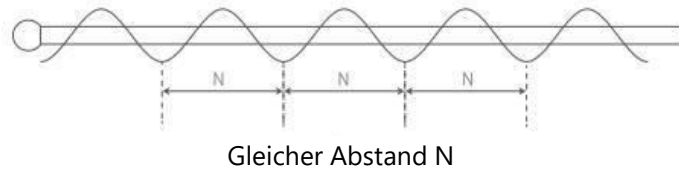
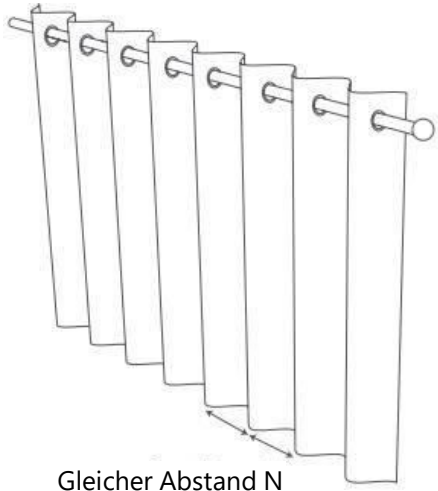
Setzen Sie ihn zurück und die Installation ist abgeschlossen.



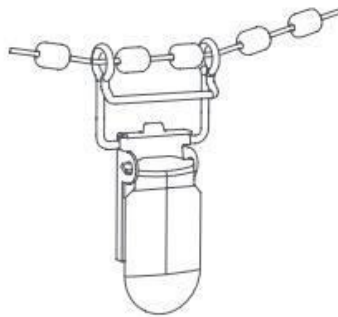
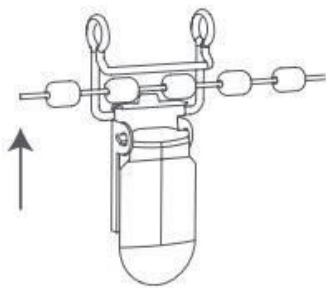
Zubehör für Ösenvorhänge (nicht erforderlich für Ringvorhänge)

Da der Innendurchmesser des Roma-Rings des Tüllenvorhangs dem Außendurchmesser der römischen Stange (O-förmige Schiene) ähnelt und es aufgrund seiner Struktur schwierig ist, den Vorhang zu ziehen (auf einmal vollständig zu öffnen), ist es notwendig, das Zubehör hinzuzufügen, um den Vorhang gleichmäßig zu verteilen, wodurch die Zugkraft verringert und die Schönheit des Vorhangs erhalten werden kann.

1. Bitte schließen Sie den Vorhang vollständig und achten Sie darauf, dass die Abstände zwischen den einzelnen Falterleben ungefähr gleich groß sind.

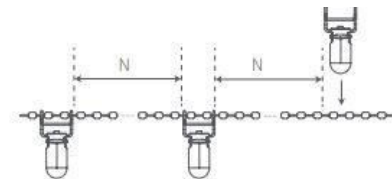
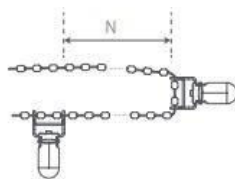
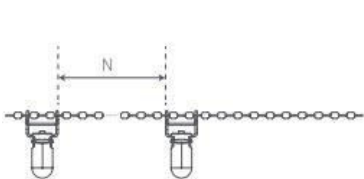


2. Nehmen Sie das Zubehör heraus und befestigen Sie die Perlen auf dem Perlenclip, wie in der Abbildung unten gezeigt (achten Sie darauf, dass sich zwei Perlen am Ende des Clips befinden).

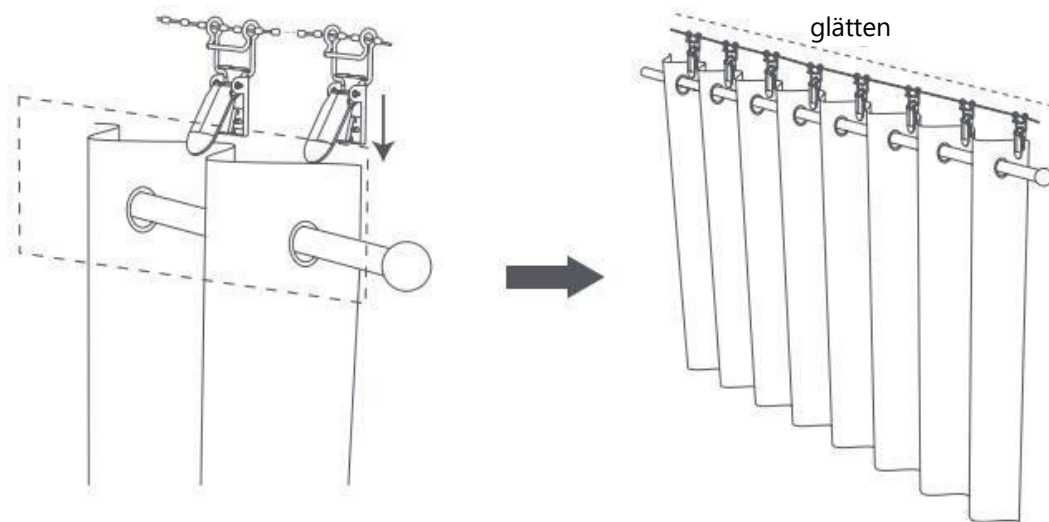


So öffnen Sie den Clip

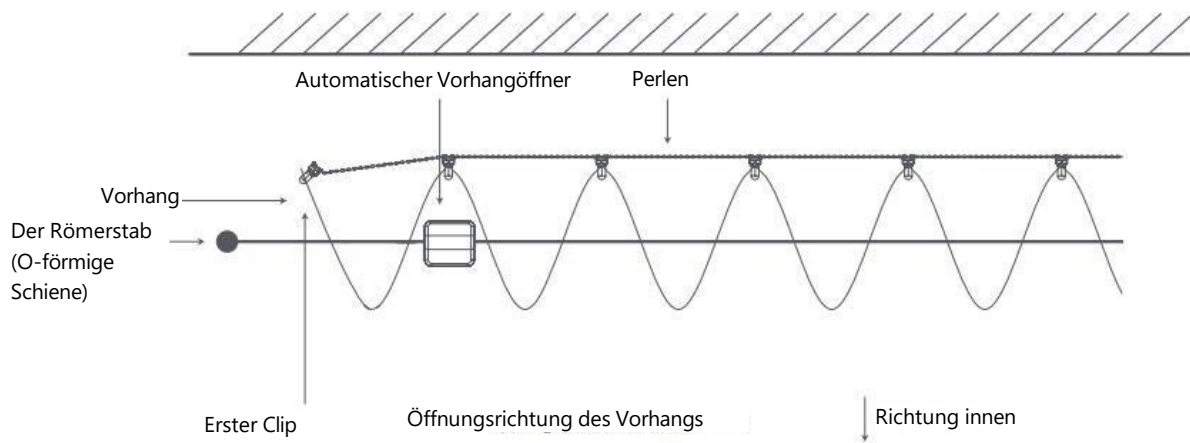
3. Messen Sie den Abstand N zwischen zwei benachbarten Falzlinien.
4. Richten Sie die Perlen aus, bringen Sie die Perlen entsprechend dem gemessenen Abstand auf der zweiten Perlenklammer an und achten Sie darauf, dass der Abstand zwischen der ersten und der zweiten Klammer N beträgt.



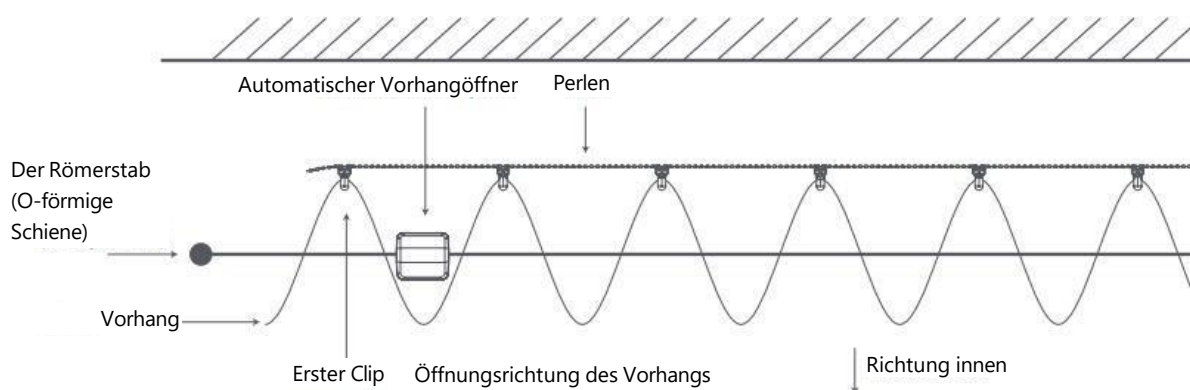
5. Befestigen Sie die Clips an der nach außen gerichteten Falzlinie des Vorhangs. Bei der Montage muss der Clip im oberen Bereich des Vorhangs platziert werden und nur an den ersten Überständen des Vorhangs von der vollständig geschlossenen Richtung bis zur vollständig geöffneten Richtung geklemmt werden.
6. Wenn Sie alle Clips am Vorhang anbringen, versuchen Sie bitte, ihn zu öffnen und zu schließen, und achten Sie darauf, dass der Perlenstreifen beim Schließen gerade ist. Sie können den Reststreifen abschneiden oder hinter dem Vorhang verstecken.



Fall 1: Die erste Öffnung in Öffnungsrichtung des Vorhangs ist nach außen gerichtet.



Fall 2: Die erste Öffnung in der Öffnungsrichtung des Vorhangs ist zum Innenraum gerichtet.



Hub & Fernbedienung: Anleitung

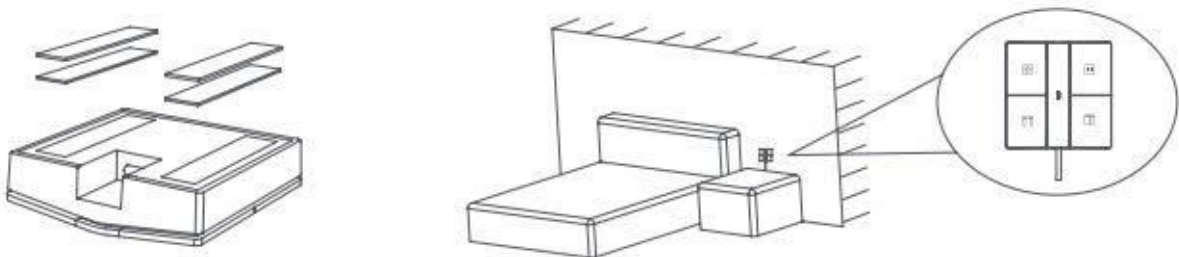
Um sicherzustellen, dass der Vorhangmotor normal verwendet und mit der Plattform eines Drittanbieters verbunden werden kann, muss die Hub-Fernbedienung vor der Verwendung des Vorhangmotors an den (von Ihnen vorbereiteten) Adapter angeschlossen werden, und sie sollte immer eingeschaltet sein und normal mit Wi-Fi verbunden werden können.

Sie können den Hub & Remote auf eine saubere, flache und stabile Oberfläche wie den Nachttisch oder die Wand kleben.

1. Nehmen Sie die Klettschleife aus der Zubehörverpackung und entfernen Sie das Isolierpapier auf der Rückseite.
2. Kleben Sie die Klettschleife in die Rille auf der Rückseite der Nabe und der Fernbedienung und drücken Sie sie 1 Minute lang an, um sicherzustellen, dass der Selbstkleber ausgehärtet ist.
3. Bestimmen Sie, wo Sie kleben wollen, und wischen Sie die Oberfläche mit einem sauberen Tuch ab.
4. Kleben Sie den Kletthaken an die Schleife, entfernen Sie dann das Isolierpapier hinter dem Kletthaken, kleben Sie die gesamte Hub & Remote an die gewählte Stelle und drücken Sie sie 1 Minute lang an, um sicherzustellen, dass der Selbstkleber ausgehärtet ist.

Hinweis:

- Drücken Sie während des gesamten Vorgangs nicht die Taste des Hub & Remote.
- Der Hub unterstützt nur automatische Vorhangöffner von Yeelight.



Anweisungen zu den Tasten der Hub-Fernbedienung

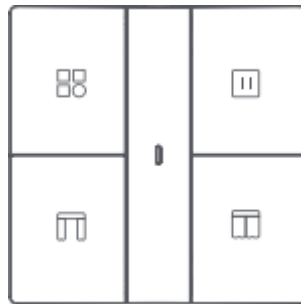
☐ Benutzerdefinierte Taste: Bewegt den Vorhang in die eingestellte Position, die in der App festgelegt werden kann.

☐ Taste "Pause": Der Vorhang stoppt die Bewegung.

☐ Taste "Vollständig öffnen": Vollständiges Öffnen des Vorhangs.

☐ Taste "Vollständig geschlossen": Schließt die Vorhänge vollständig.

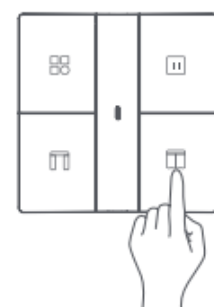
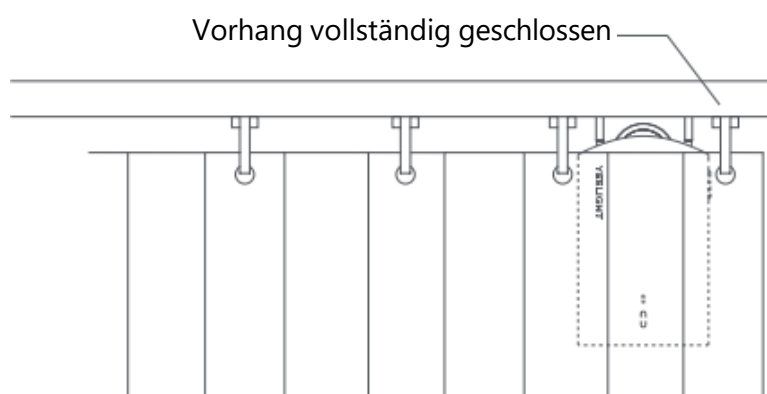
Hinweis: Die Fernbedienung wird erst dann wirksam, wenn der automatische Vorhangöffner von Yeelight die Kalibrierungseinstellungen abgeschlossen hat. Für den Kalibrierungsprozess lesen Sie bitte die Installationsanleitung in der App.



Einstellungen für die automatische Kalibrierung

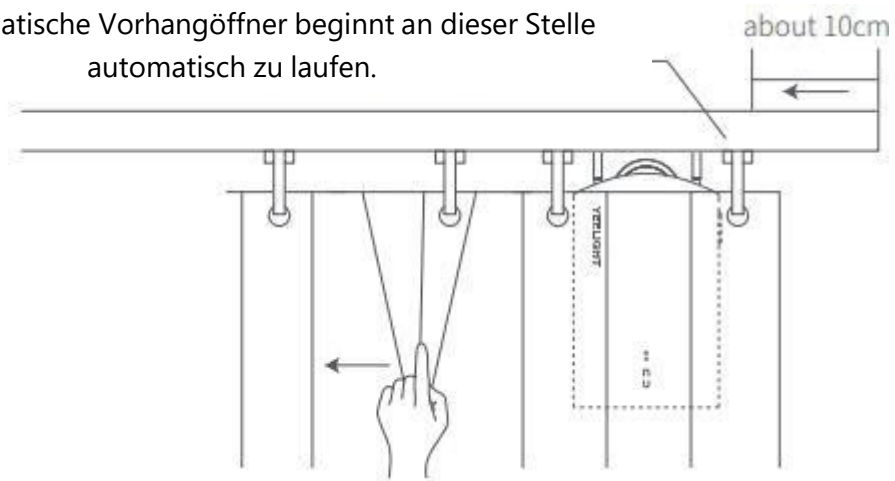
Automatische Kalibrierung eines Flächenvorhangs

1. Bringen Sie den automatischen Vorhangöffner in die Position, in der der Vorhang vollständig geschlossen ist.
2. Klicken Sie schnell 5 Mal auf die vollständig geschlossene Taste an Hub & Remote. Zu diesem Zeitpunkt beginnen die Anzeigeleuchten des Hub & Remote und des automatischen Vorhangöffners langsam blau zu blinken, was anzeigt, dass sich sowohl der automatische Vorhangöffner als auch der Hub & Remote im automatischen Kalibrierungsmodus befinden.
3. Ziehen Sie den Vorhang vorsichtig etwa 10 cm in die vollständig geöffnete Richtung, und der automatische Vorhangöffner bewegt sich automatisch in die vollständig geöffnete Richtung. Wenn sich der Vorhang nicht mehr bewegt oder die gewünschte Position erreicht hat, klicken Sie erneut auf die Taste für das vollständige Schließen.

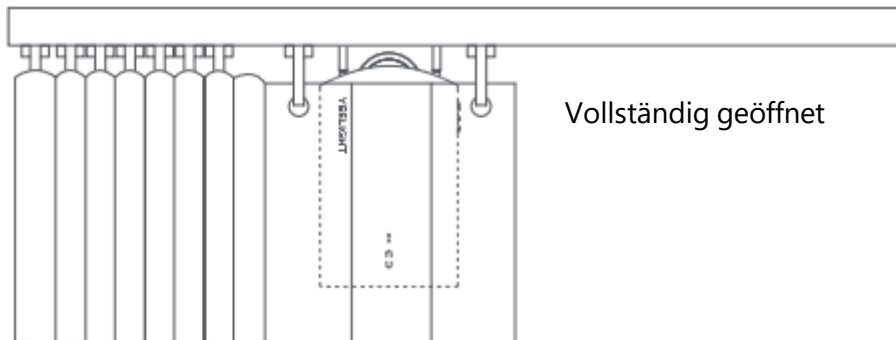


Etwa 10cm

Der automatische Vorhangöffner beginnt an dieser Stelle automatisch zu laufen.



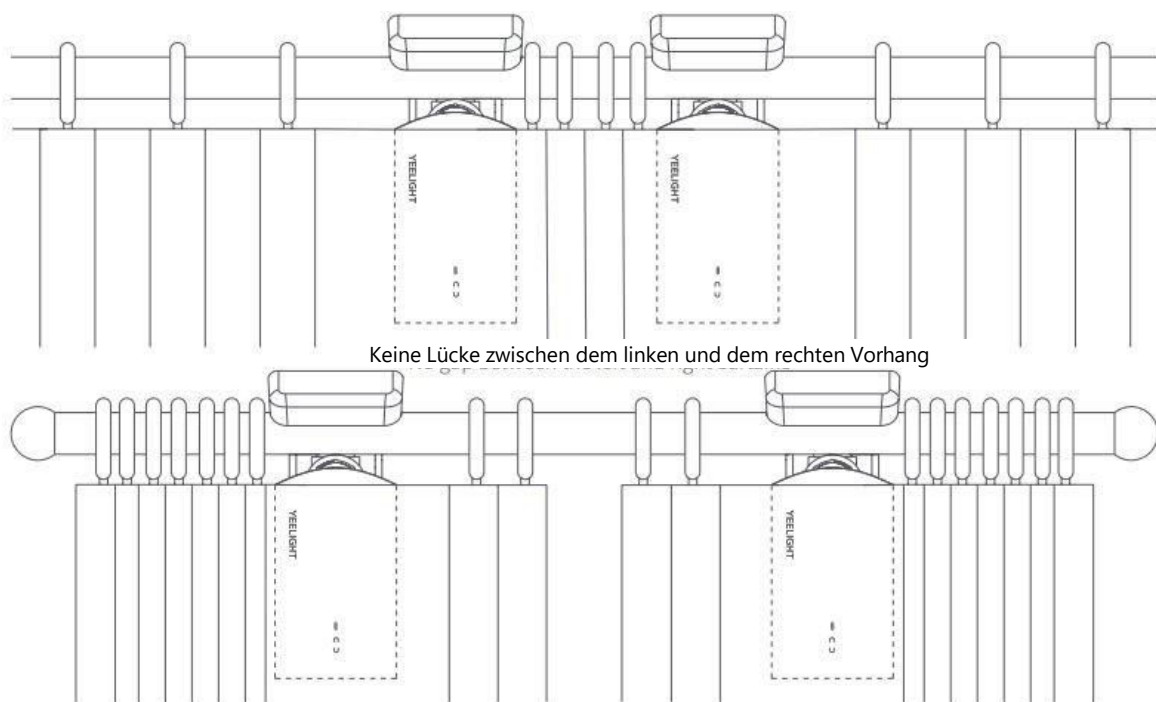
4. Die blauen Anzeigen des automatischen Vorhangöffners und des Hub & Remote hören auf zu blinken.
5. Schließen Sie die automatische Kalibrierung ab.



Automatische Kalibrierung von doppelten Flächenvorhängen:

Beziehen Sie sich auf die Methode zum Einstellen der Laufwege bei einflächigen Vorhängen und stellen Sie die Laufwege des linken bzw. rechten automatischen Vorhangöffners von Yeelight ein.

Hinweis: Wenn Sie die Vorhänge mit der Hand ziehen, ziehen Sie bitte abwechselnd den linken und den rechten Vorhang ca. 10 cm in die vollständig geöffnete Richtung. Nachdem die Vorhangmotoren auf der linken und der rechten Seite beide Enden der Vorhangschiene erreicht haben oder in die vorgesehene Position gefahren sind, klicken Sie erneut auf die Taste "Vollständig geschlossen" auf der Fernbedienung.



Warnung:

1. Das Produkt ist kein Spielzeug, bitte halten Sie Kinder davon fern.
2. Nur für den Innenbereich geeignet, bitte nicht im Freien verwenden.
3. Das Produkt ist nicht feuchtigkeitsbeständig, bitte verschütten Sie kein Wasser oder andere Flüssigkeiten über das Produkt.
4. Bitte halten Sie das Produkt von Hitze fern.
5. Sollte das Produkt während des Gebrauchs ausfallen, geben Sie es bitte an autorisierte Fachleute zur Reparatur und versuchen Sie nicht, es selbst zu reparieren.

Gruppieren Sie den Yeelight Atomic Curtain Opener und Hub & Remote

(Bitte tun Sie dies, wenn die blaue Anzeige auf dem Motor blinkt)

1. Halten Sie die Taste des automatischen Vorhangöffners, der gruppiert werden soll, 5 Sekunden lang gedrückt, bis die blaue Anzeige zu blinken beginnt.
2. Halten Sie die vollständig geöffnete Taste und die Pausentaste der Hub & Remote 10 Sekunden lang gedrückt, bis die blaue Anzeige auf der Hub & Remote zu blinken beginnt.
3. Nachdem der automatische Vorhangöffner und die Gateway-Fernbedienung zusammengeführt wurden, bewegt der automatische Vorhangöffner den Vorhang für eine kurze Strecke nach links und rechts, und gleichzeitig hören die blauen Anzeigen des automatischen Vorhangöffners auf zu blinken.
4. Wenn die blaue Anzeige des Hub & Remote aufhört zu blinken, aber die blaue Anzeige des automatischen Vorhangöffners immer noch blinkt, wiederholen Sie bitte die obigen Schritte, bis sowohl die blauen Anzeigen des automatischen Vorhangöffners als auch des Hub & Remote aufhören zu blinken, was bedeutet, dass die Gruppierung erfolgreich ist.

Schaltflächen-Anweisungen

	Bedienung der Schaltflächen	Anleitung
Automatischer Vorhangöffner	Drücken und halten Sie die Taste 5 Sekunden lang	Aufrufen des automatischen Vorhangöffners und des Gruppenmodus Hub & Remote
	Klicken Sie oder halten Sie die Taste kürzer als 5 Sekunden gedrückt	Automatischer Vorhangöffner stoppt die Bewegung

	Bedienung der Schaltflächen	Anleitung
Hub & Fernbedienung	Benutzerdefinierte Schaltfläche	Bewegen Sie den Vorhang in die eingestellte Position, Sie können jede Position in der APP einstellen
	Vollständig geöffnete Taste	Öffnen Sie die Vorhänge vollständig
	Vollständig geschlossener Knopf	Schließen Sie die Vorhänge vollständig
	Pause-Taste	Automatischer Vorhangöffner stoppt die Bewegung
	Halten Sie die Pause- und die Voll-Öffnen-Taste gleichzeitig für 10	Aufrufen des automatischen Vorhangöffners und des

	Sekunden gedrückt.	Gruppenmodus Hub & Remote
	Halten Sie die Taste "Custom" und "Vollständig geschlossen" gleichzeitig 3 Sekunden lang gedrückt.	Der Hub & Remote tritt in das Verteilernetz ein, um den Kontomodus zu ergänzen
	Klicken Sie schnell 5 Mal hintereinander auf die vollständig geschlossene Taste	Automatischer Vorhangöffner und Hub & Remote gehen in den Autokalibrierungsmodus

Indikatoren-Anweisungen

	Bedienung der Schaltflächen	Anleitung
Automatischer Vorhangöffner	Weißer Indikator leuchtet für 1s	Einschalten des automatischen Vorhangöffners
	Weißer Anzeige blinkt einmal	Klicken Sie auf die Schaltfläche
	Blaue Anzeige blinkt schnell	Gruppenmodus mit Hub & Fernbedienung
	Blaue Anzeige blinkt langsam	Automatischer Vorhangöffner geht in den Selbstkalibrierungsmodus über

	Bedienung der Schaltflächen	Anleitung
Hub & Fernbedienung	Weißer Indikator leuchtet für 1s	Einschalten des Hubs und der Fernbedienung
	Weißer Anzeige blinkt langsam	Netzwerk erkennen
	Weißer Anzeige blinkt schnell	Hub & Remote wechselt in den Vernetzungsmodus und fügt dem Konto hinzu
	Blaue Anzeige blinkt schnell	Gruppenmodus mit automatischem Vorhangöffner
	Blaue Anzeige blinkt langsam	Hub & Remote wechselt in den Auto-Kalibrierungsmodus
	Die blaue Anzeige blinkt einmal	Der automatische Vorhangöffner hat die Route nicht eingestellt

Anweisungen zum Aufladen

Stecken Sie den Typ-C-Stecker des USP-Ladekabels in den Ladeanschluss des automatischen Vorhangöffners von Yeelight oder entfernen Sie den Akku hinter dem automatischen Vorhangöffner von Yeelight separat, und stecken Sie das andere Ende in den Adapter, um zu laden.

Automatischer Vorhangöffner	Bedienung der Schaltflächen	Anleitung
	Weißer Anzeiger blinkt	Aufladen
	Weißer Anzeiger leuchtet weiter	Der Ladevorgang ist abgeschlossen und der Adapter wurde nicht entfernt.

Zurücksetzen auf Werkseinstellungen

Halten Sie die benutzerdefinierte und die vollständig geschlossene Taste auf der Hub & Remote gleichzeitig 3 Sekunden lang gedrückt, bis die weiße Anzeige der Hub & Remote zu blinken beginnt, was bedeutet, dass die Hub & Remote auf die Werkseinstellungen zurückgesetzt worden ist.

Warnung:

Nach dem Zurücksetzen auf die Werkseinstellungen gehen möglicherweise alle Einstellungen verloren und Sie müssen das Gerät erneut zum Konto hinzufügen und die Route neu kalibrieren.

Spezifikationen

Automatischer Vorhangöffner

Modell	YLCDJ-0009
Dimension	79 x 166 x 72mm
Nenn Drehmoment	0,2N m
Arbeitszeiten	S2 4min
Nennspannung	5V ---
Nennleistung	6W
Geschwindigkeit der Bewegung	7cm/s

Testbedingungen: Leistungsmodus, 2m Vorhangschiene, 12kg Vorhang, 25°C (Die Testergebnisse stammen aus dem Kontrollversuch des Yeelight-Labors, die Batterielebensdauer kann aufgrund unterschiedlicher Bedingungen variieren).

Hub & Fernbedienung

Modell	YLCDJ-0011
Dimension	65 x 65 x 18 mm
Nennspannung	5V ---
Nennstrom	1A

Anmerkungen:

1. Nur zur Verwendung in Innenräumen.
2. Es wird empfohlen, es aus Sicherheitsgründen in einer Höhe von weniger als 2000 Metern zu verwenden.
3. " --- " Das Symbol steht für Gleichstrom (DC).

Kompatibel mit: Android id 4.4 oder iOS 10.0 und höher.

Drahtlose Konnektivität: Wi-Fi IEEE 802.11b/g/n 2.4GHz. Bluetooth 4.2BLE, Zigbee
Betriebsfrequenz: 2412-2472MHz (Wi-Fi), 2402-2480MHz (BT), 2405-2480MHz (Zigbee)
Maximale Ausgangsleistung: 16.24 dBm (Wi-Fi), 2dBm (BT), 6.06dBm (Zigbee)

EU-Konformitätserklärung

Quingdao Yeelink Information Technology Co. erklärt hiermit, dass das Gerät des Typs Y00409 mit den EU-Richtlinien übereinstimmt. Der vollständige Text der EU-Konformitätserklärung ist unter der folgenden Internetadresse verfügbar:
<https://edshop.edsystem.cz/prohlaseni-o-shode/article-28393>



WEEE

Dieses Produkt darf gemäß der EU-Richtlinie über Elektro- und Elektronik-Altgeräte (WEEE - 2012/19 / EU) nicht über den normalen Hausmüll entsorgt werden. Stattdessen muss es an den Ort des Kaufs zurückgebracht oder bei einer öffentlichen Sammelstelle für wiederverwertbare Abfälle abgegeben werden. Indem Sie sicherstellen, dass dieses Produkt ordnungsgemäß entsorgt wird, tragen Sie dazu bei, mögliche negative Folgen für die Umwelt und die menschliche Gesundheit zu vermeiden, die andernfalls durch eine unsachgemäße Abfallbehandlung dieses Produkts verursacht werden könnten. Wenden Sie sich an Ihre örtliche Behörde oder an die nächstgelegene Sammelstelle, um weitere Informationen zu erhalten. Die unsachgemäße Entsorgung dieser Art von Abfall kann gemäß den nationalen Vorschriften zu Geldstrafen führen.

